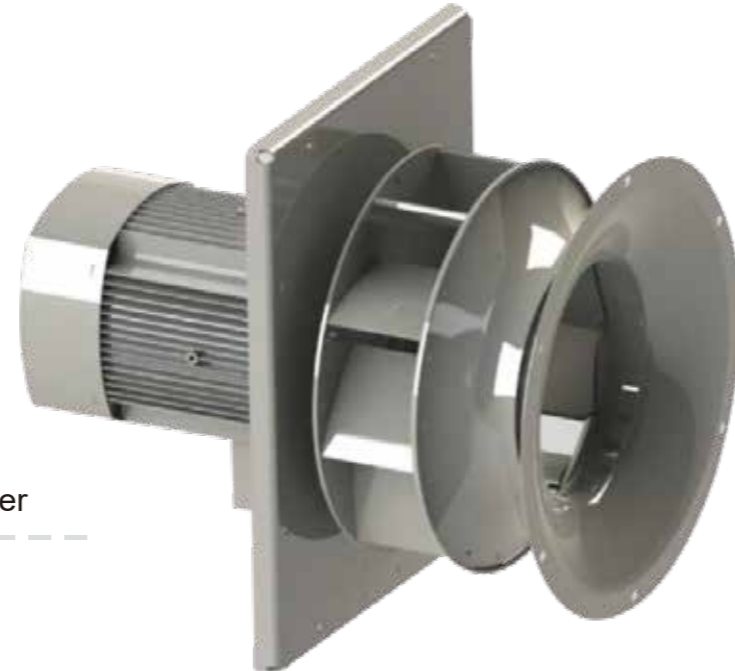


# Backward curved centrifugal Fan

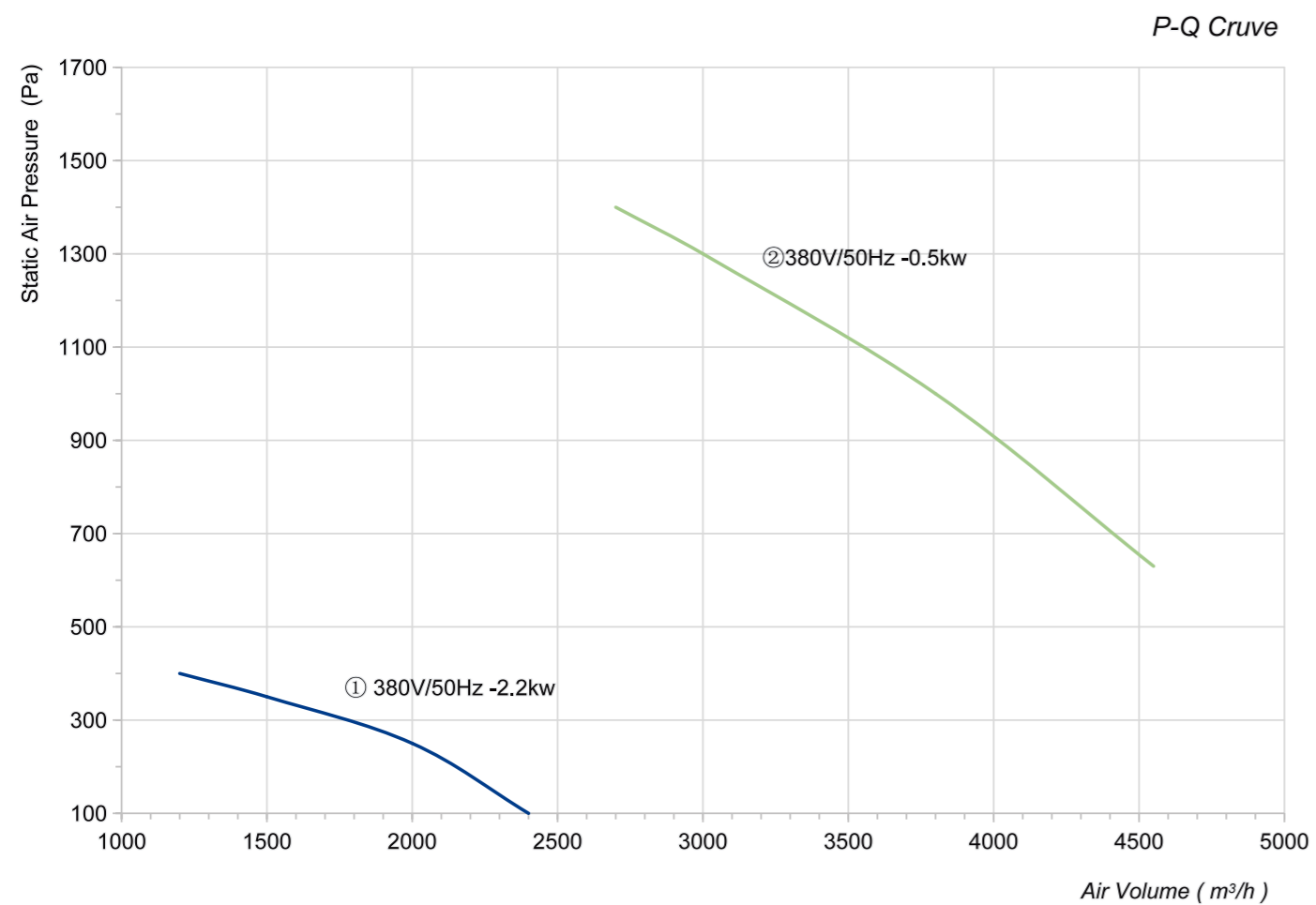
## Product Characteristic

- Train Types: Urban rail transit
- Product Code: /
- Material: Q345/5754
- Protection Class: IP56
- Insulation Class: H
- Weight: 33kg
- Application Units: Urban rail traction and auxiliary inverter

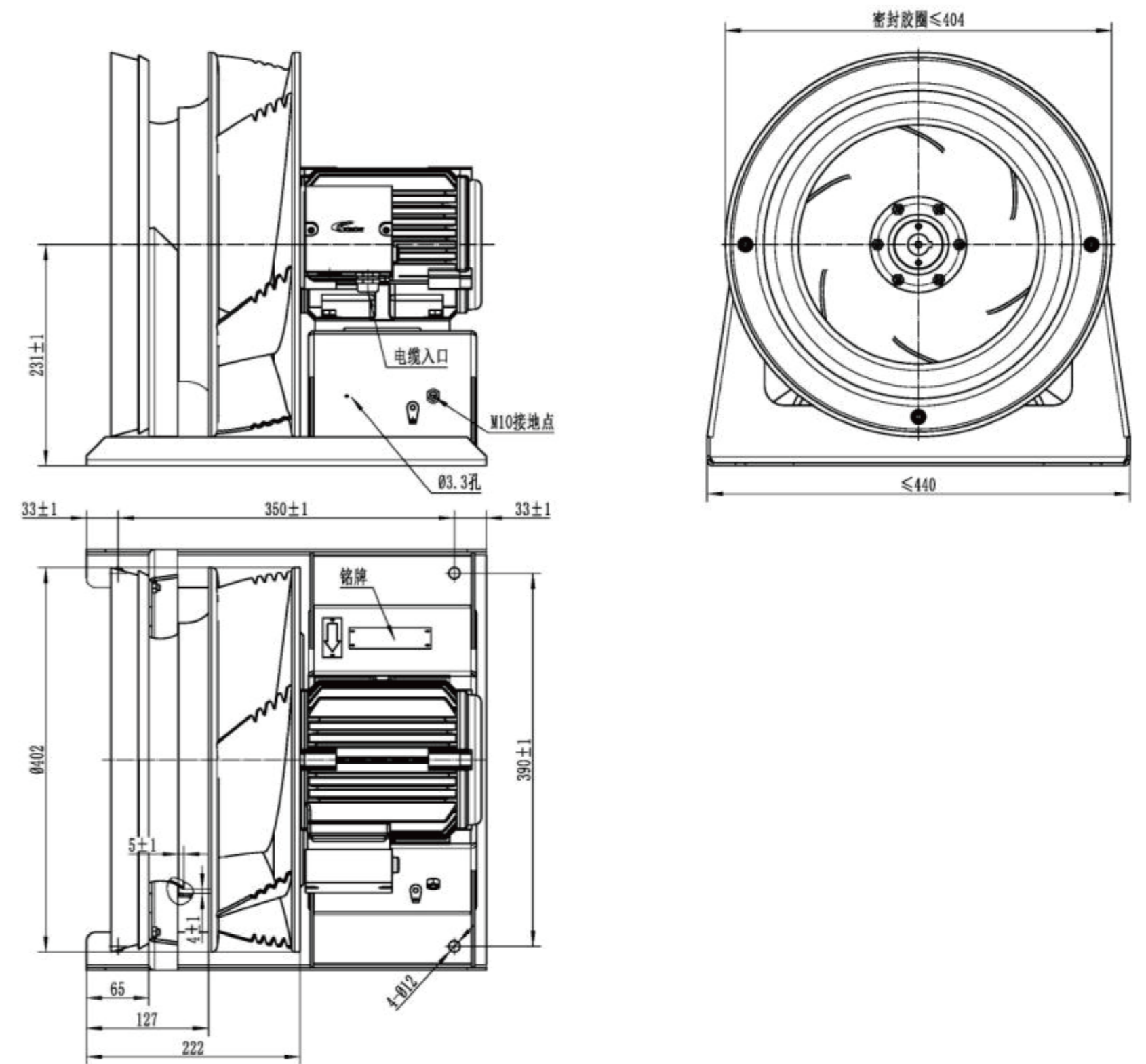


## Technical Specifications

Model	Voltage (V)	Frequency (Hz)	Input Power (KW)	Current (A)	Air Flow (m³/h)	Air pressure (Pa)	Speed (RPM)	Noise [dB(A)]
LWBA(RT)400-NW-01	380V	50	2.2/0.5	5/1.3	3600/1800	J1200/300	2850/1450	Lw≤90/78



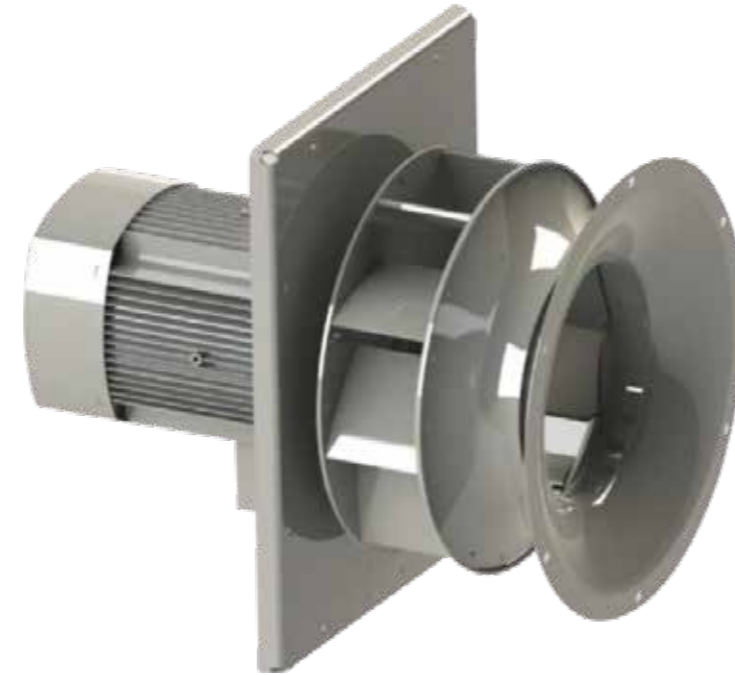
## Product Drawing (mm)



# Backward curved centrifugal Fan

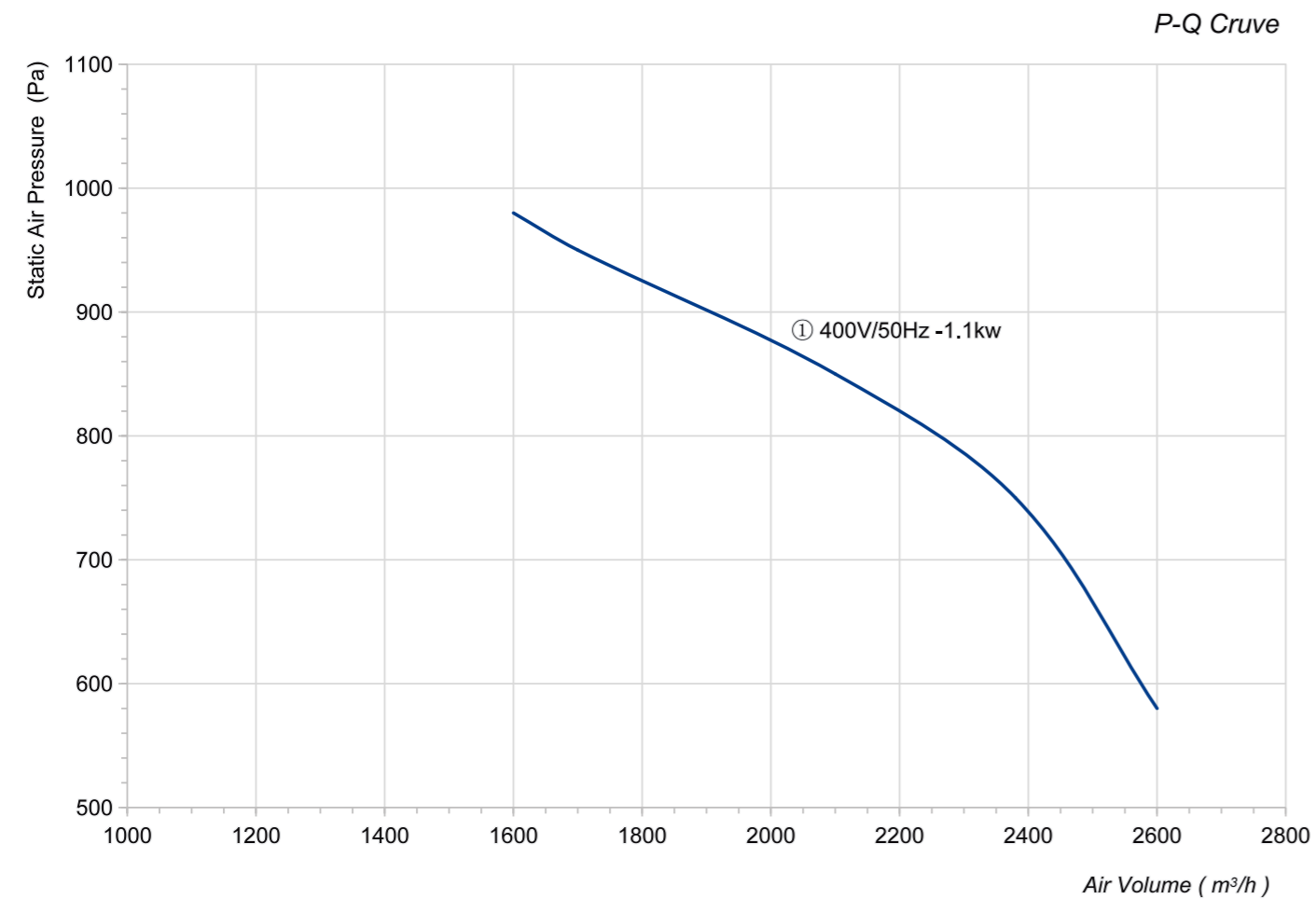
## Product Characteristic

- Train Types: Urban rail transit
- Product Code: /
- Material: Q235B
- Protection Class: IP55
- Insulation Class: F
- Weight: 20kg
- Application Units: Traction Units heat-dissipation fan

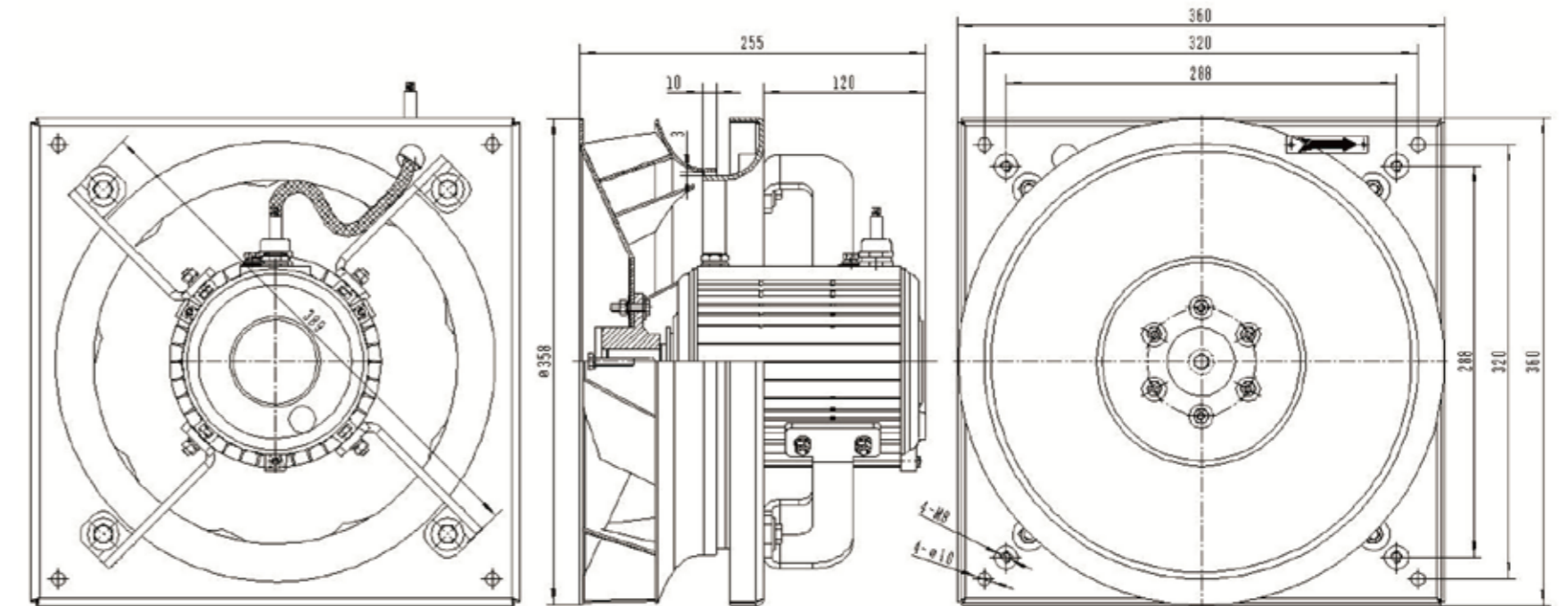


## Technical Specifications

Model	Voltage (V)	Frequency (Hz)	Input Power (kW)	Current (A)	Air Flow (m³/h)	Air pressure (Pa)	Speed (RPM)	Noise [dB(A)]
LWBA(RT)355-PW-01	400V	50	1.1	2.4	2160	J765	2845	78



## Product Drawing (mm)



# Backward curved centrifugal Fan

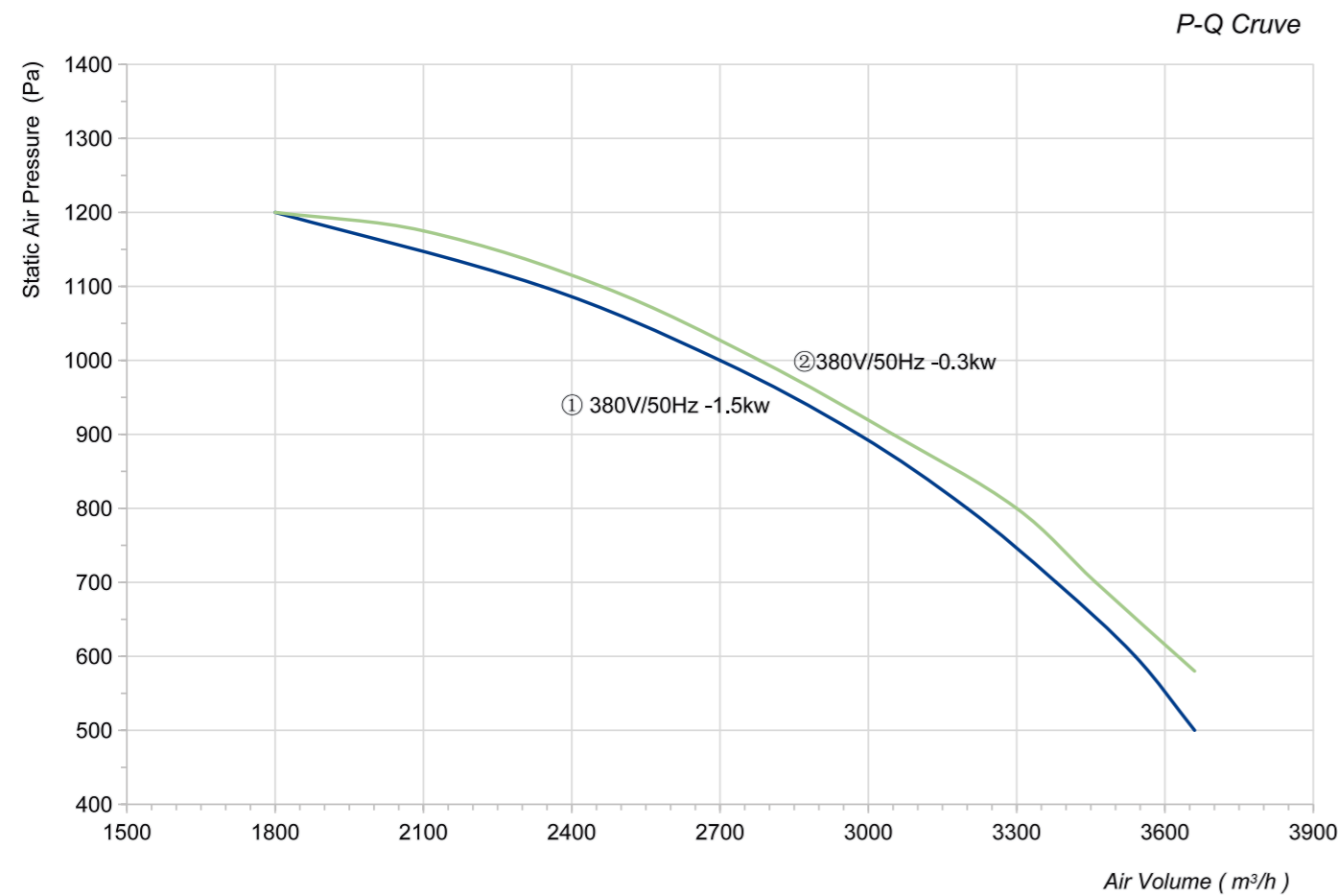
## Product Characteristic

- Train Types: Urban rail transit
- Product Code: /
- Material: 5754
- Protection Class: IP65
- Insulation Class: F
- Weight: 24kg
- Application Units: Traction Units heat-dissipation fan

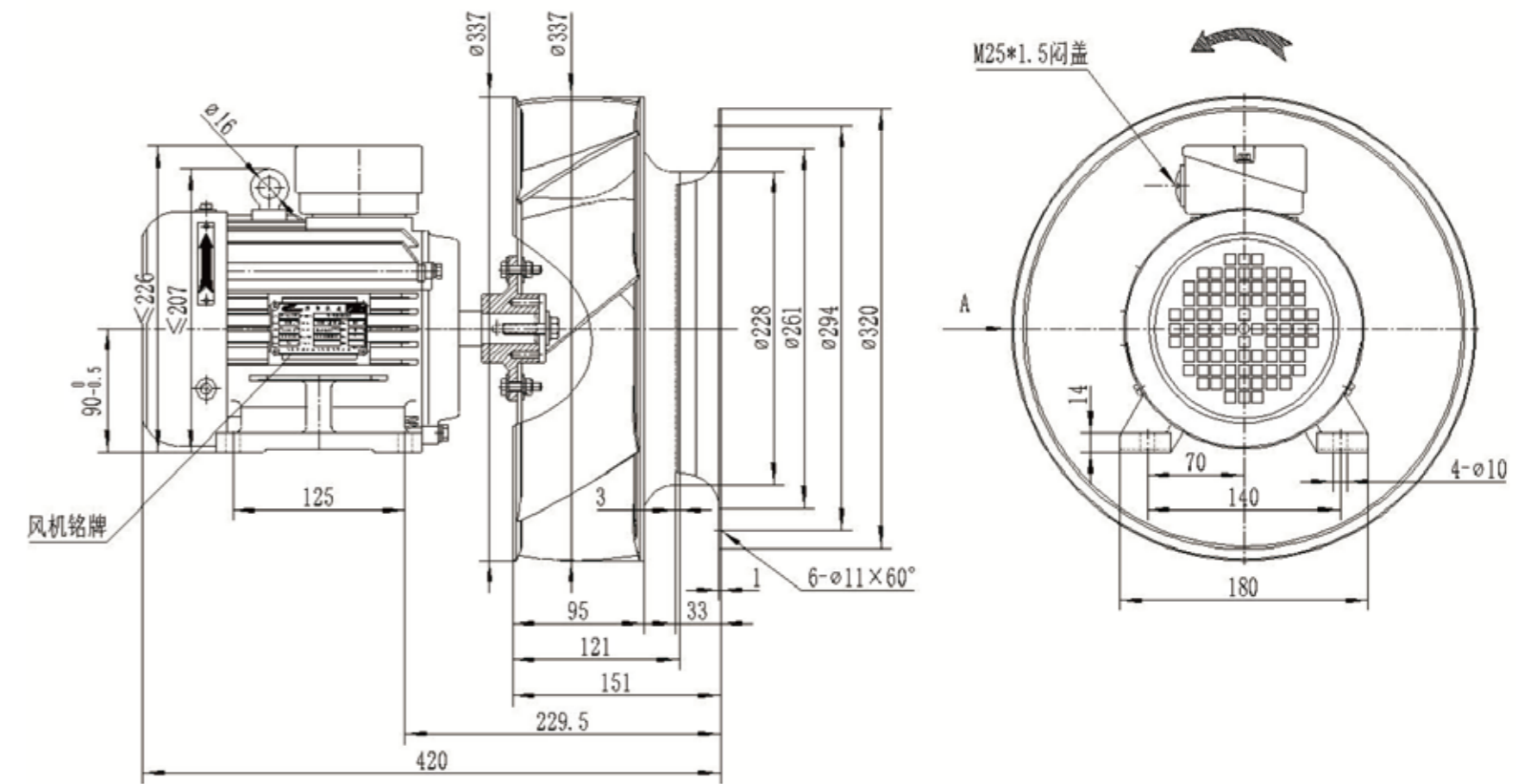


## Technical Specifications

Model	Voltage (V)	Frequency (Hz)	Input Power (kW)	Current (A)	Air Flow (m³/h)	Air pressure (Pa)	Speed (RPM)	Noise [dB(A)]
LWBA(RT)320-NW-06	380V	50	1.5/0.3	3.6/0.78	2700	J900	2840/1450	Lw≤88/73



## Product Drawing (mm)



# Backward curved centrifugal Fan

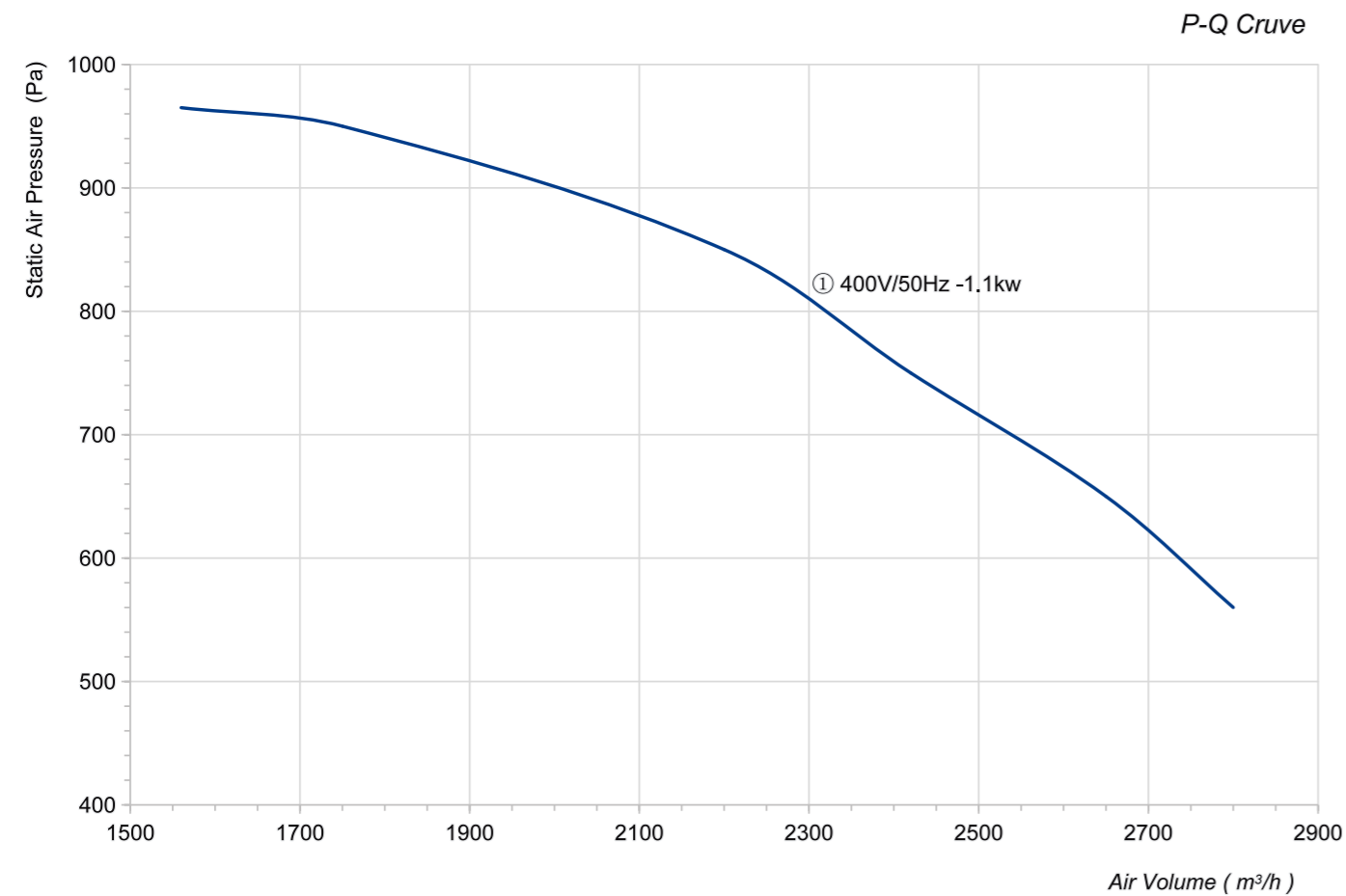
## Product Characteristic

- Train Types: Urban rail transit
- Product Code: /
- Material: Q235B
- Protection Class: IP55
- Insulation Class: F
- Weight: 20kg
- Application Units: Traction Units heat-dissipation fan



## Technical Specifications

Model	Voltage (V)	Frequency (Hz)	Input Power (kW)	Current (A)	Air Flow (m³/h)	Air pressure (Pa)	Speed (RPM)	Noise [dB(A)]
LWBA(RT)355-PW-02	400V	50	1.1	2.4	2160	J765	2845	78



## Product Drawing (mm)

