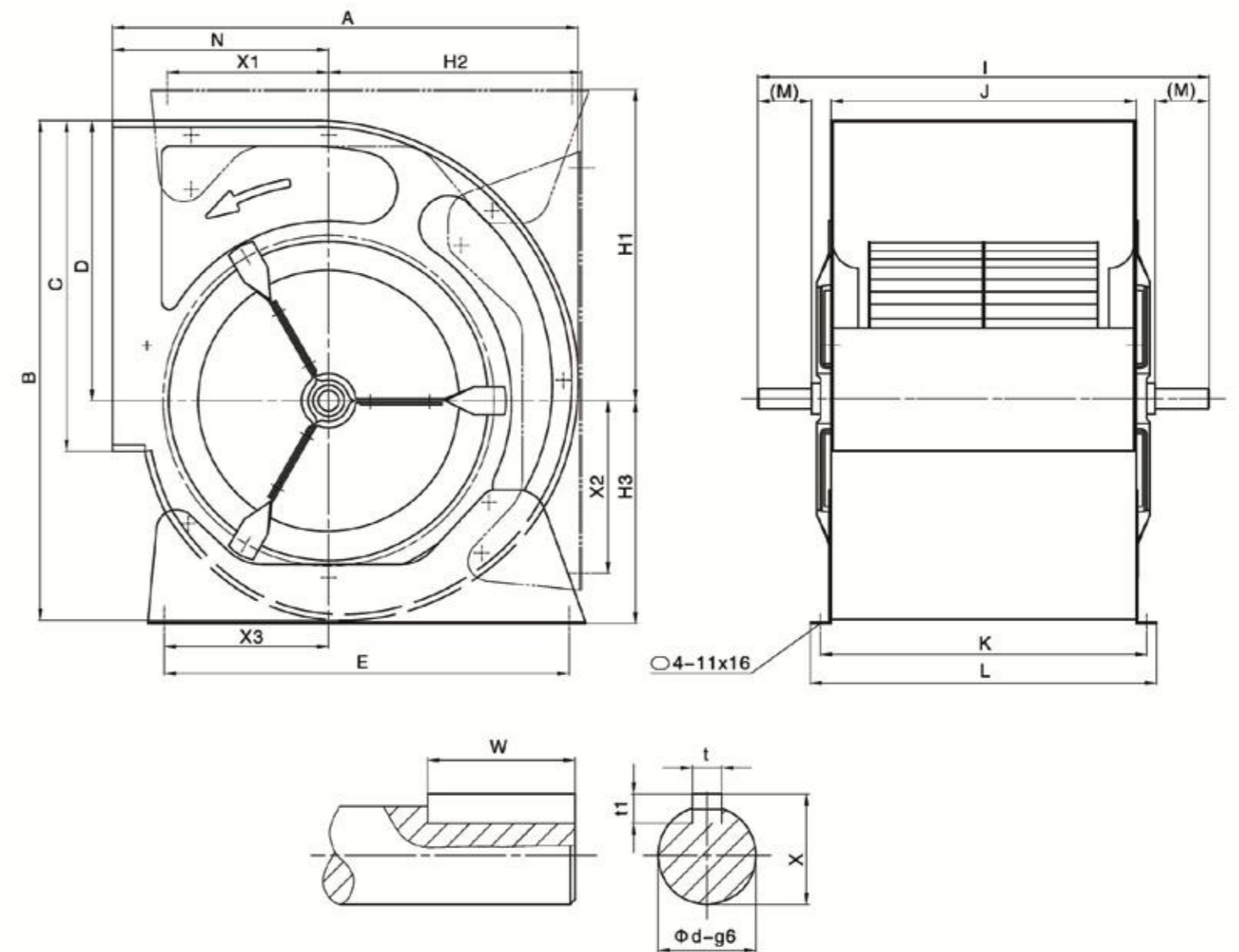


# AT Series Centrifugal Blower

Professional HVAC Fan & Motors Manufacturer



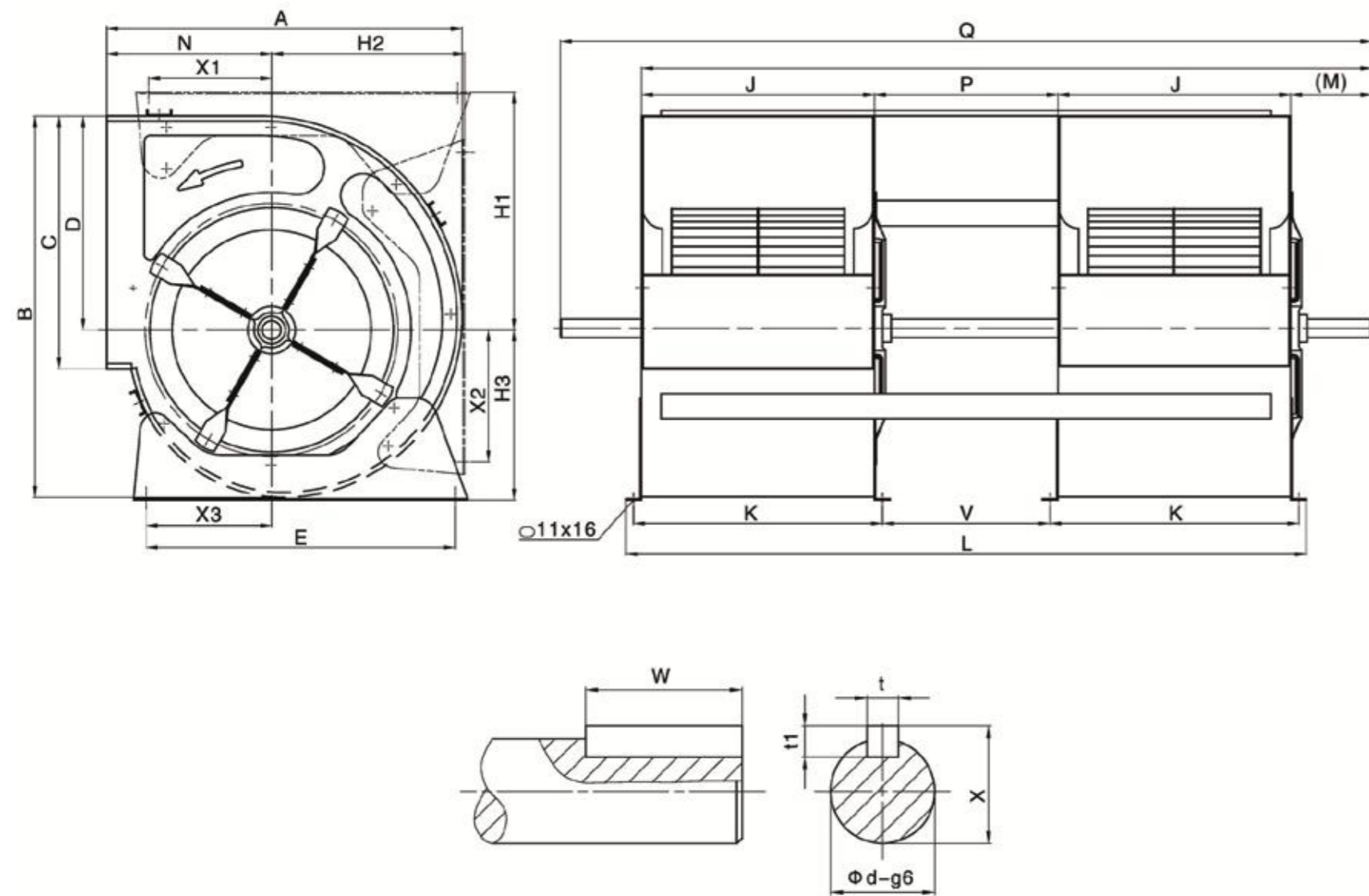
## AT - L(LK)



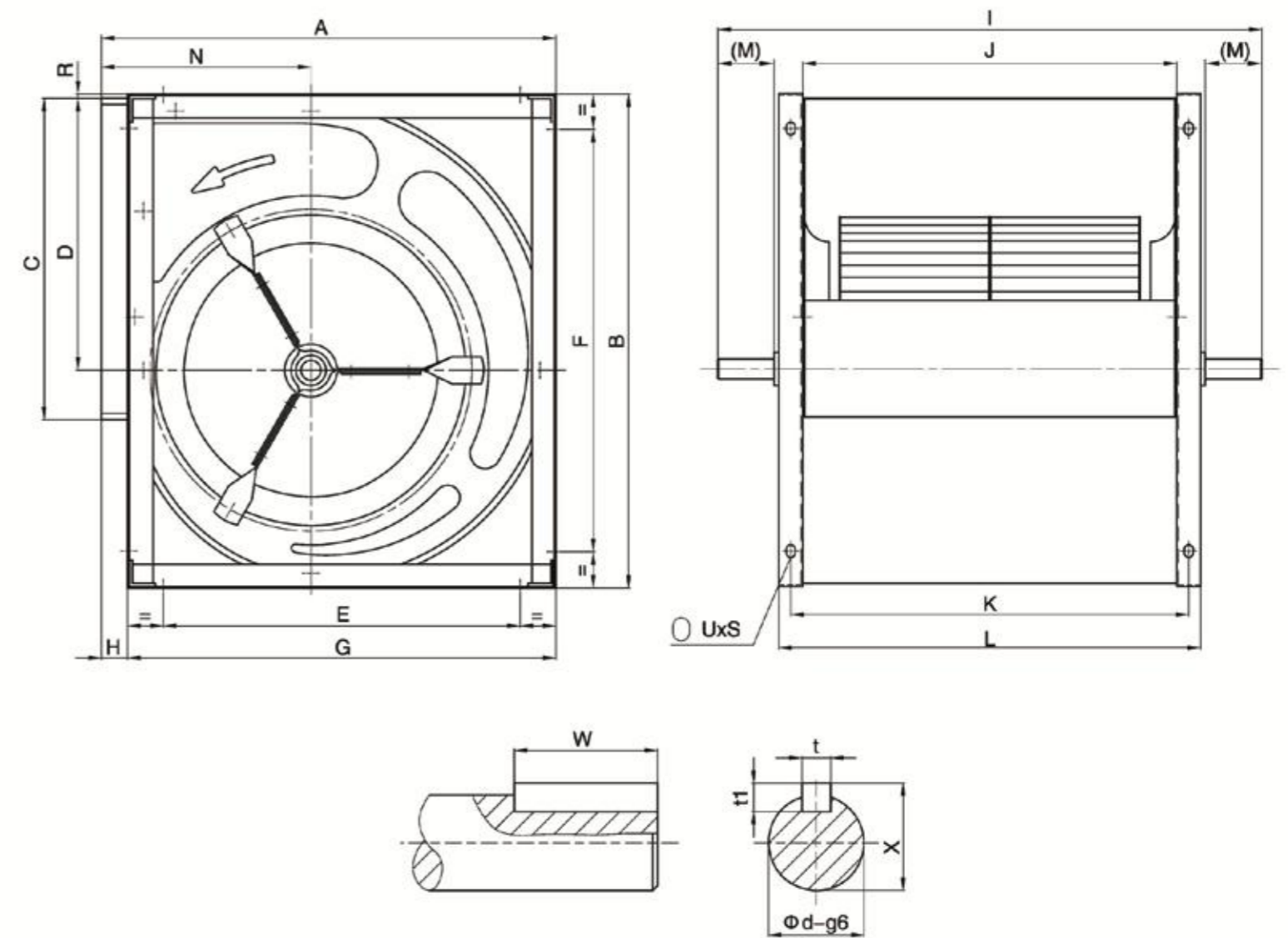
### Technical Specifications

Model	A	B	C	D	E	I	J	K	L	M	N	X	t	t1	W	d	H1	H2	H3	X1	X2	X3
7-7L	312	328	228	192	180	370	259	279	299	32	152	22.5	6	6	30	20	224	164	164	90	90	90
8-8L	346	365	256	216	224	420	287	312	337	43	164	22.5	6	6	40	20	245	184	181	112	112	112
9-7L	380	387	262	215	300	370	232	258	282	45.5	185	22.5	6	6	40	20	253	199	177	119	124	123
9-9L	380	387	262	215	300	447	298	324	348	51	185	22.5	6	6	30	20	253	199	177	119	124	123
10-8L	430	446	289	249	340	409	265	291	315	48.5	203	28	8	7	40	25	287	227	198	136	132	135
10-10L	430	446	289	249	340	490	331	357	381	56	203	28	8	7	55	25	287	227	198	136	132	135
12-9L	491.5	521	341	294	408	464	309	335	359	54	230	28	8	7	40	25	332	266	232	161	153	161
12-12L	491.5	521	341	294	408	564	395	421	445	61	230	28	8	7	60	25	332	266	232	161	153	161
15-11L	569	609	404	342	495	552	373	399	423	66	264	28	8	7	50	25	380	309	272	197	211	201
15-11LK	569	609	404	342	495	570	373	399	423	71.8	264	33	8	7	40	30	380	309	272	197	211	201
15-15L	569	609	404	342	495	650	471	497	521	66	264	28	8	7	60	25	380	309	272	197	211	201
15-15LK	569	609	404	342	495	675	471	497	521	75.3	264	33	8	7	65	30	380	309	272	197	211	201
18-13L	684	739	478	415	608	610	430	456	480	66.5	314	28	8	7	65	25	457	376	340	262	283	278
18-13LK	684	739	478	415	608	610	430	456	480	60.6	314	38	10	8	60	35	457	376	340	262	283	278
18-18L	684	739	478	415	608	740	557	583	607	68	314	28	8	7	65	25	457	376	340	262	283	278
18-18LK	684	739	477	415	608	790	557	583	607	87.1	314	38	10	8	70	35	457	376	340	262	283	278

## AT - L2



## AT - R(RK)



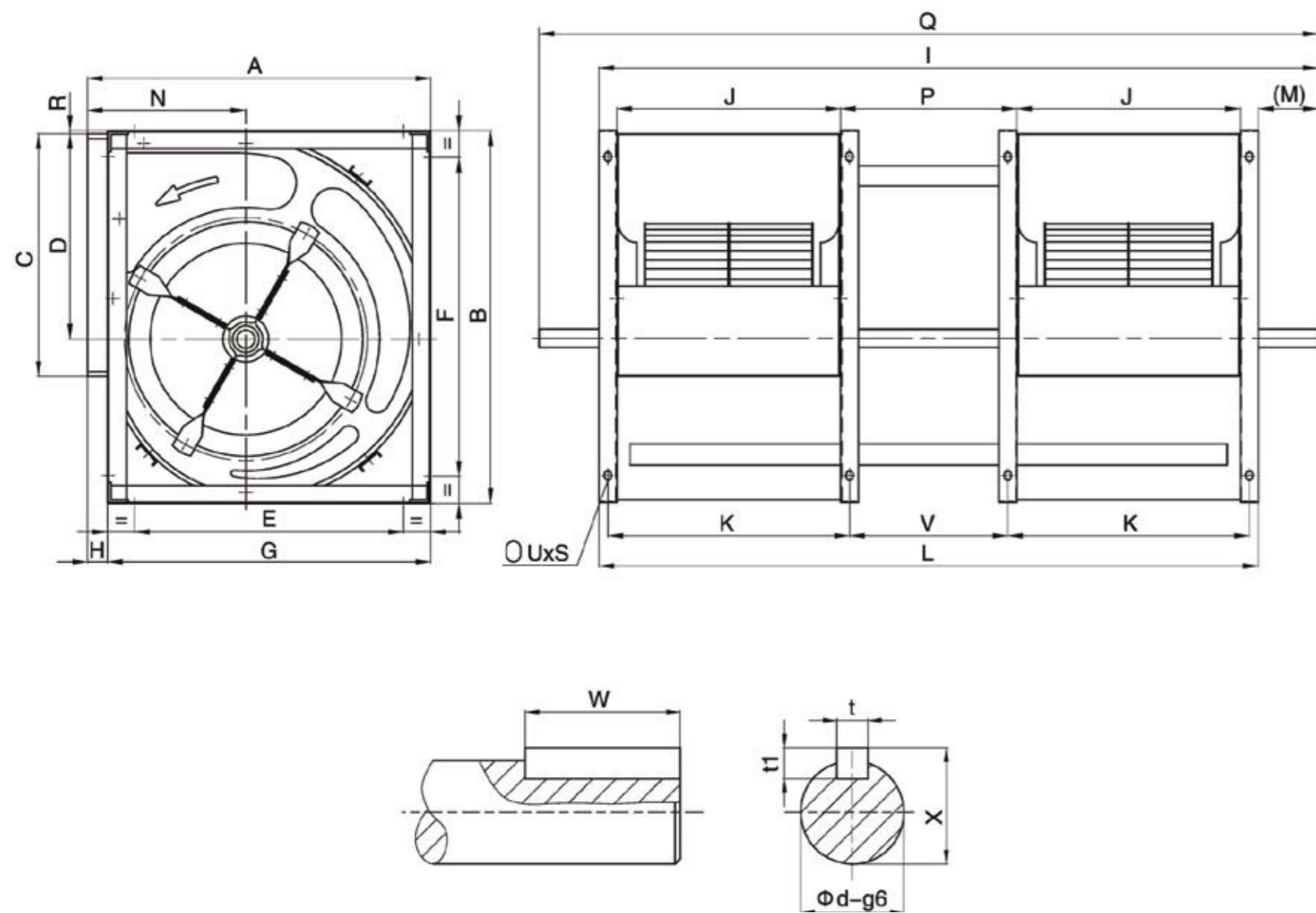
### Technical Specifications

Model	A	B	C	D	E	I	J	K	L	M	N	P	Q	V	X	t	t1	W	d	H1	H2	H3	X1	X2	X3
7-7L2	312	328	228	192	180	/	259	279	742	80	152	184	862	164	22.5	6	6	60	20	224	164	164	90	90	90
8-8L2	346	365	256	216	224	/	287	312	838	95	164	214	978	189	22.5	6	6	60	20	245	184	181	112	112	112
9-7L2	380	387	262	215	300	/	232	258	698	90	185	184	828	159	22.5	6	6	60	20	253	199	177	119	124	123
9-9L2	380	387	262	215	300	/	298	324	890	90	185	244	1020	218	28	8	7	60	25	253	199	177	119	124	123
10-8L2	425	443	289	249	340	/	265	291	794	90	203	214	924	188	28	8	7	60	25	287	227	198	136	132	135
10-10L2	425	443	289	249	340	/	331	357	976	90	203	264	1106	238	28	8	7	60	25	287	227	198	136	132	135
12-9L2	491.5	521	341	294	408	/	309	335	912	110	230	244	1082	218	28	8	7	60	25	332	266	232	161	153	161
12-12L2	491.5	521	341	294	408	1224	395	421	1164	110	230	324	/	298	33	8	7	70	30	332	266	232	161	153	161
15-11L2	569	609	404	342	495	1170	373	399	1090	130	264	294	/	268	33	8	7	70	30	380	309	272	197	211	201
15-15L2	569	609	404	342	495	1456	471	497	1376	130	264	384	/	358	33	8	7	70	30	380	309	272	197	211	201
18-13L2	684	739	478	415	608	1343	430	454	1253	140	314	343	/	319	38	10	8	90	35	457	376	340	262	283	278
18-18L2	684	739	478	415	608	1702	557	581	1622	130	314	458	/	434	38	10	8	90	35	457	376	340	262	283	278

### Technical Specifications

Model	A	B	C	D	E	F	G	H	I	J	K	L	M	N	R	t	t1	W	X	d	UxS
7-7R	323	336	228	192	180	180	294	29	420	259	281	299	57	152	6	6	6	40	22.5	20	9x12
8-8R	348	370	256	216	224	224	314	34	460	287	312	337	63	164	3	6	6	50	22.5	20	9x12
9-7R	385	399	262	215	274	324	349	36	388	232	254	272	54.5	185	6	6	6	40	22.5	20	9x12
9-9R	385	399	262	215	274	324	349	36	460	298	320	338	57.5	185	6	6	6	50	22.5	20	9x12
10-8R	431	455	289	249	330	390	395	36	425	265	287	305	56.5	203	6	8	7	40	28	25	11x16
10-10R	431	455	289	249	330	390	395	36	490	331	353	371	56	203	6	8	7	55	28	25	11x16
12-9R	494	527	341	294	371	443	458	36	490	309	339	369	67	230	3	8	7	50	28	25	11x16
12-12R	494	527	341	294	371	443	458	36	600	395	425	455	79	230	3	8	7	40	28	25	11x16
15-11R	575	619	402	343	449	531	539	36	585	373	403	433	82.5	266.7	4	8	7	50	28	25	11x16
15-15R	575	619	402	343	449	531	539	36	625	373	403	433	99.3	266.7	4	8	7	40	33	30	11x16
15-15RK	575	619	402	343	449	531	539	36	625	373	403	433	99.3	266.7	4	8	7	40	33	30	11x16
15-15R	575	619	402	343	449	531	539	36	685	471	501	531	83.5	266.7	4	8	7	65	28	25	11x16
15-15RK	575	619	402	343	449	531	539	36	725	471	501	531	100.3	266.7	4	8	7	65	33	30	11x16
18-13R	690	751	478	415	544	641	654	36	666	430	470	510	94.5	314	6	8	7	65	28	25	11x16
18-13RK	690	751	478	415	544	641	654	36	666	430	470	510	88.6	314	6	10	8	55	38	35	11x16
18-18R	690	751	478	415	544	641	654	36	790	557	597	637	93	314	6	8	7	65	28	25	11x16
18-18RK	690	751	478	415	544	641	654	36	790	557	597	637	89.8	314	6	10	8	70	38	35	11x16

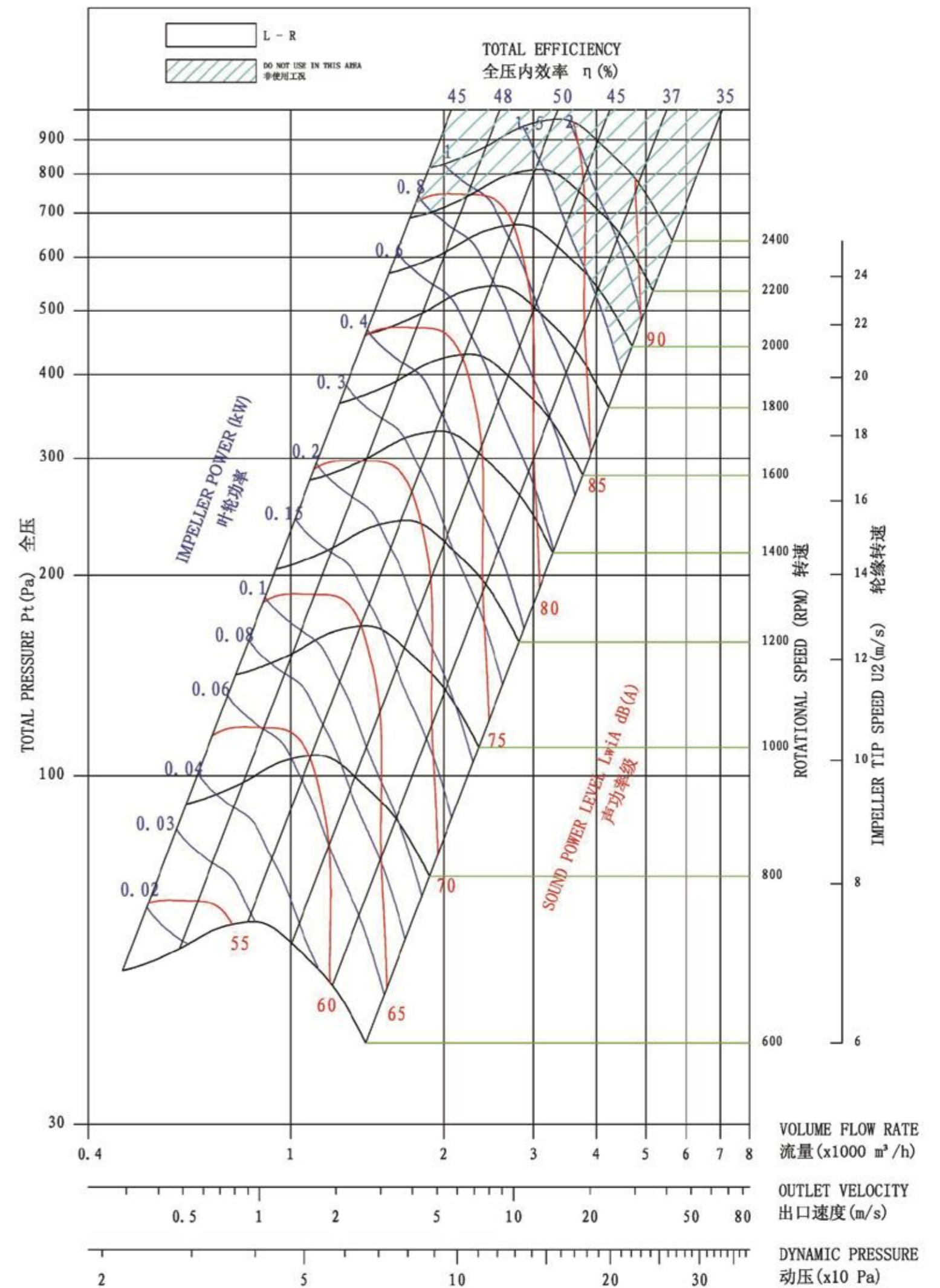
# AT - R2



## Technical Specifications

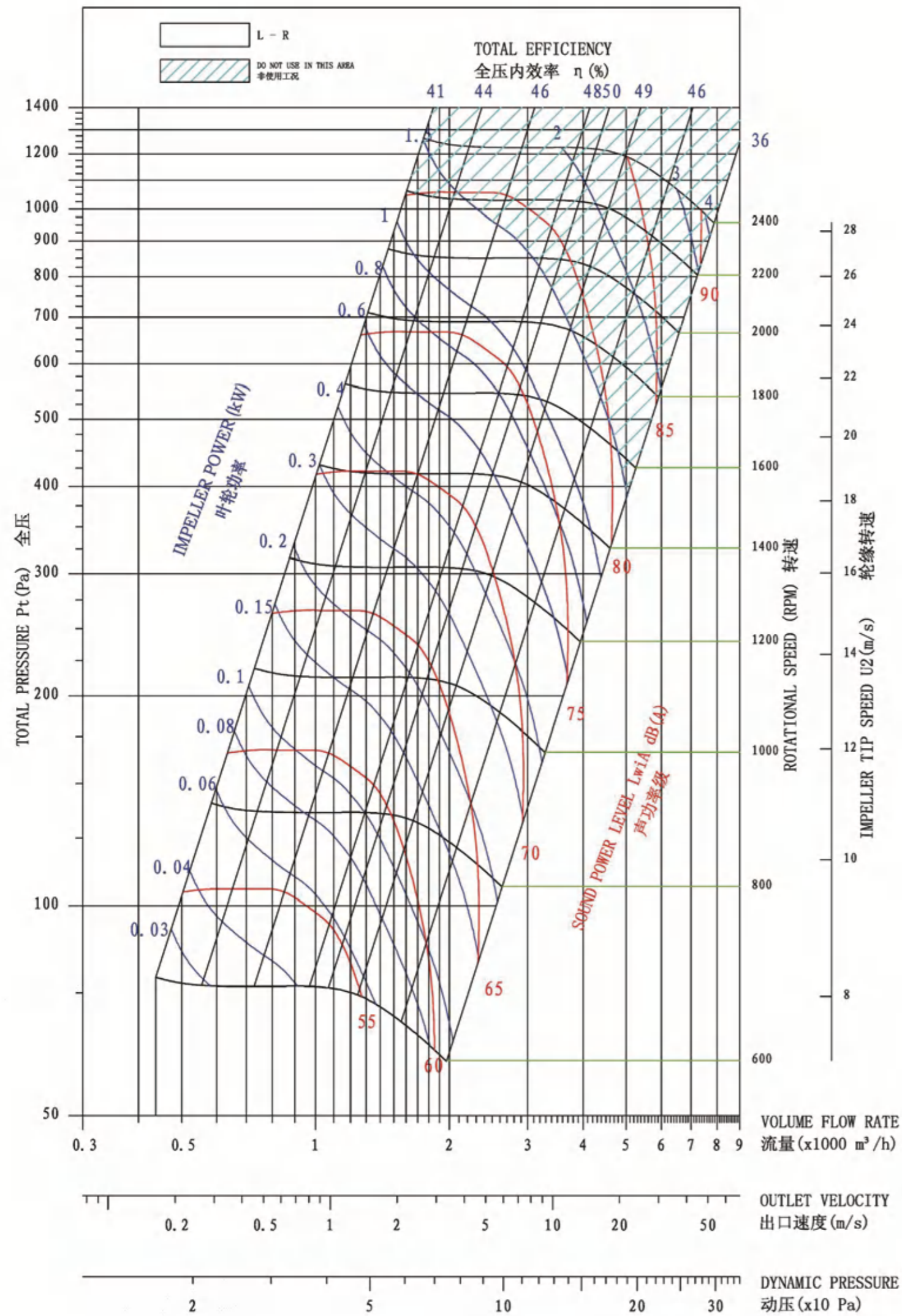
Model	A	B	C	D	E	F	G	H	I	J	K	L	M	N	P	Q	V	R	t1	W	X	d	U×S	
7-7R2	323	336	228	192	180	180	294	29	/	259	281	742	70	152	184	882	162	6	6	6	60	22.5	20	9×12
8-8R2	348	370	256	216	224	224	314	37	/	287	312	838	70	164	214	978	189	3	6	6	60	22.5	20	9×12
9-7R2	385	399	262	215	274	324	349	36	/	232	254	688	70	185	184	828	162	6	6	6	60	22.5	20	9×12
9-9R2	385	397	262	215	274	324	349	36	/	298	320	880	70	185	244	1020	222	6	8	7	60	28	25	9×12
10-8R2	431	455	289	249	330	390	395	36	/	265	287	784	70	203	214	924	192	7	8	7	60	28	25	11×16
10-10R2	431	455	289	249	330	390	395	36	/	331	353	966	70	203	264	1106	242	7	8	7	65	28	25	11×16
12-9R2	494	527	341	294	371	443	458	36	/	309	339	918	82	230	244	1082	214	3	8	7	60	28	25	11×16
12-12R2	494	527	341	294	371	443	458	36	1274	395	425	1174	100	230	324	/	294	3	8	7	60	33	30	11×16
15-11R2	575	619	402	343	449	531	539	36	1200	373	403	1100	100	266.7	294	/	264	4	8	7	70	33	30	11×16
15-15R2	575	619	402	343	449	531	539	36	1486	471	501	1386	100	266.7	384	/	354	4	8	7	70	33	30	11×16
18-13R2	690	751	478	415	544	641	654	36	1383	430	470	1283	100	314	343	/	303	6	10	8	90	38	35	11×16
18-18R2	690	751	478	415	544	641	654	36	1752	557	597	1652	100	314	458	/	418	6	10	8	90	38	35	11×16

# AT 7-7



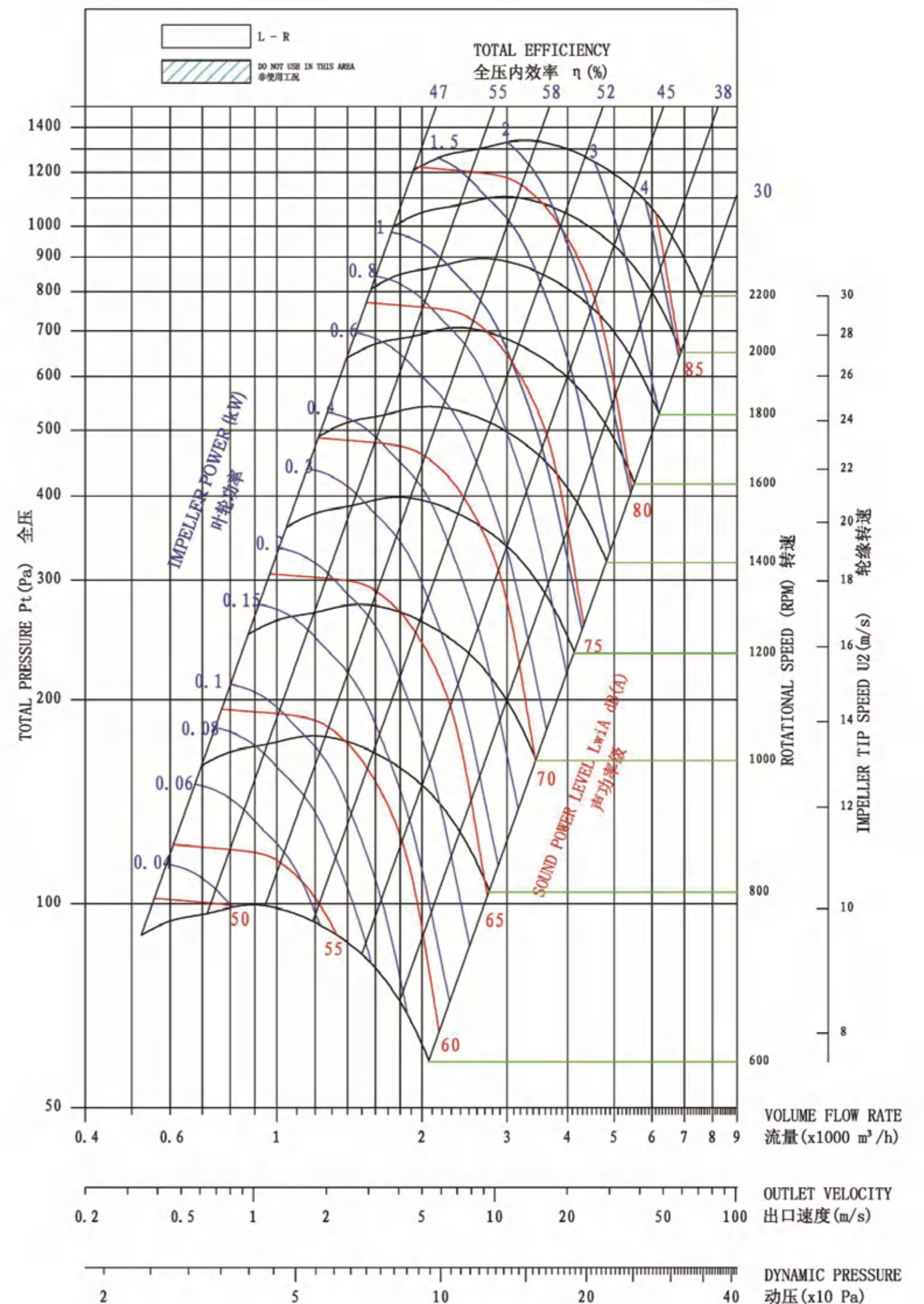
Performance shown is for installation type B, free inlet, duct outlet, and doesn't include the effects of appurtenances in the airstream. Power rating kW doesn't includedrive losses.

# AT 8-8



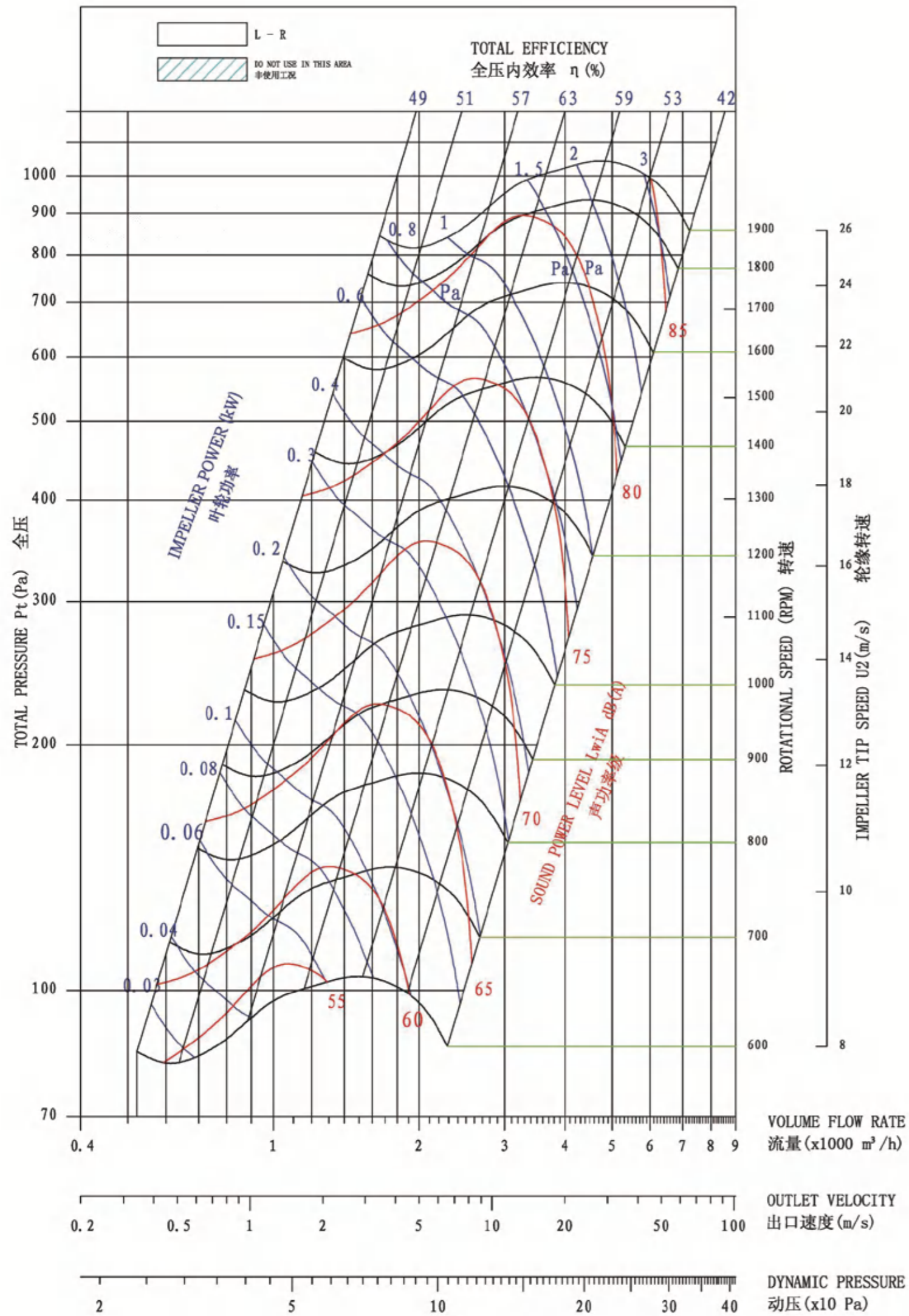
Performance shown is for installation type B, free inlet , duct outlet, and doesn't include the effects of appurtenances in the airstream.Power rating kW doesn't includedrive lesless.

# AT 9-7



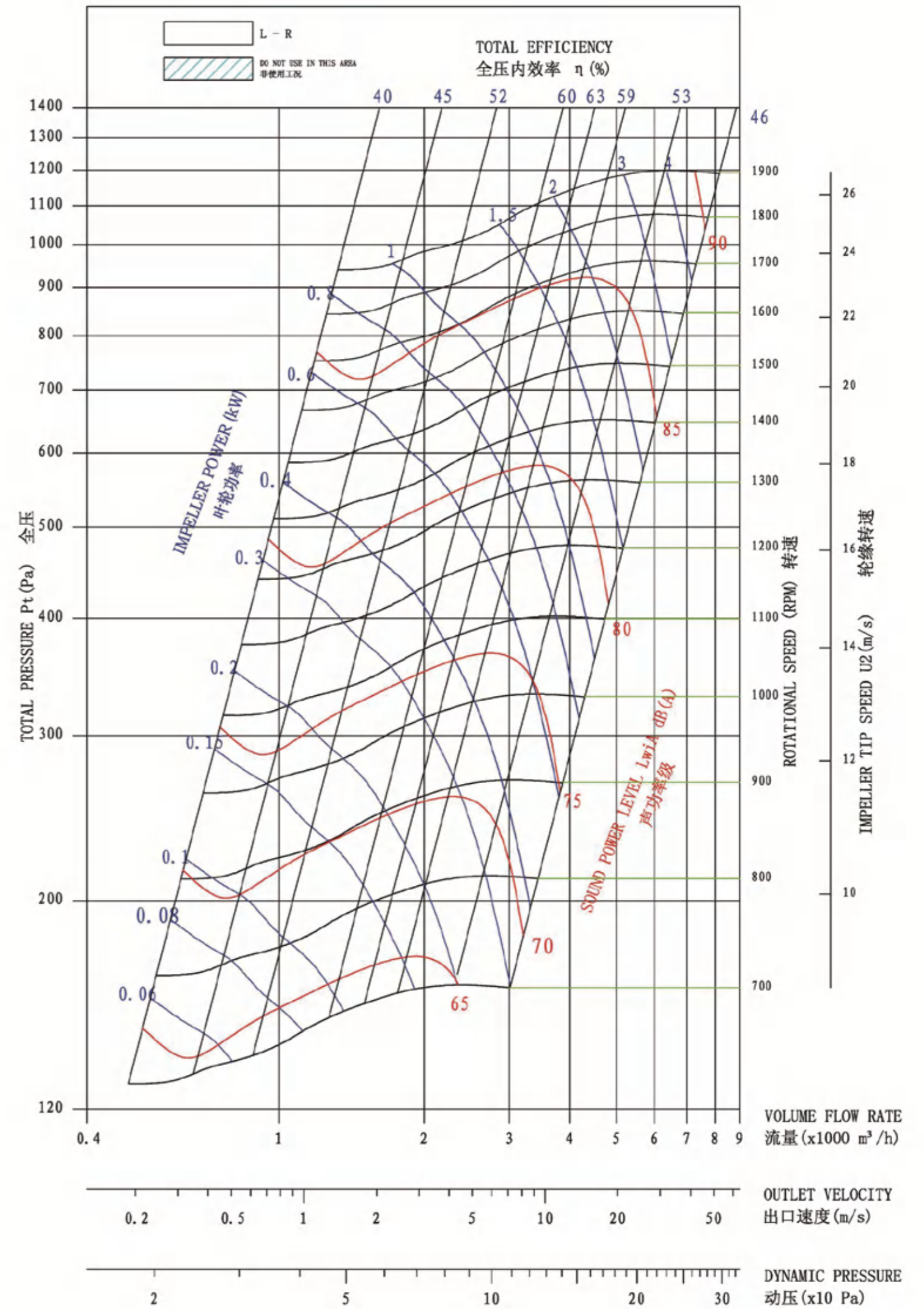
Performance shown is for installation type B, free inlet , duct outlet, and doesn't include the effects of appurtenances in the airstream.Power rating kW doesn't includedrive lesless.

# AT 9-9



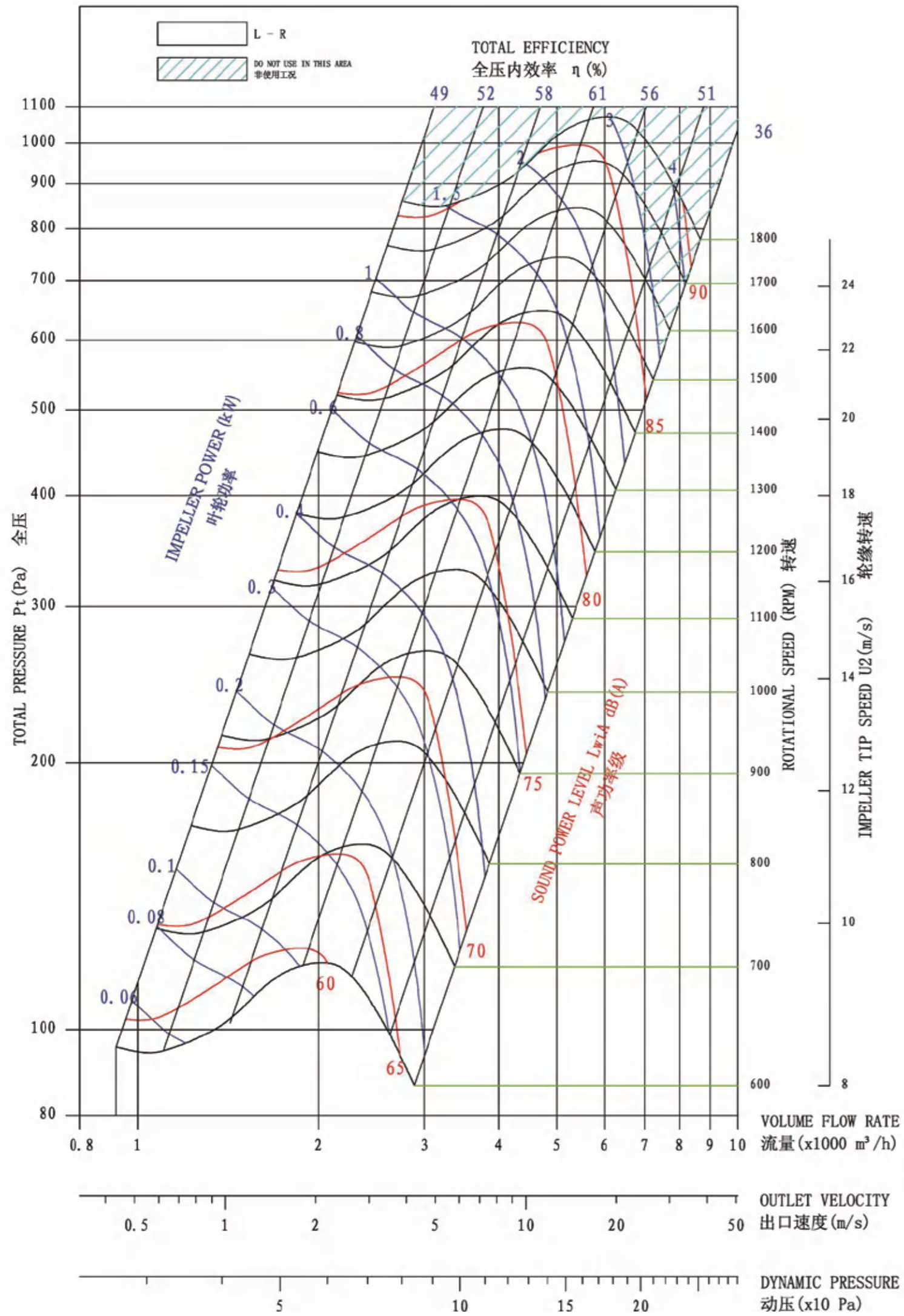
Performance shown is for installation type B, free inlet , duct outlet, and doesn't include the effects of appurtenances in the airstream.Power rating kW doesn't includedrive lesses.

# AT 10-8



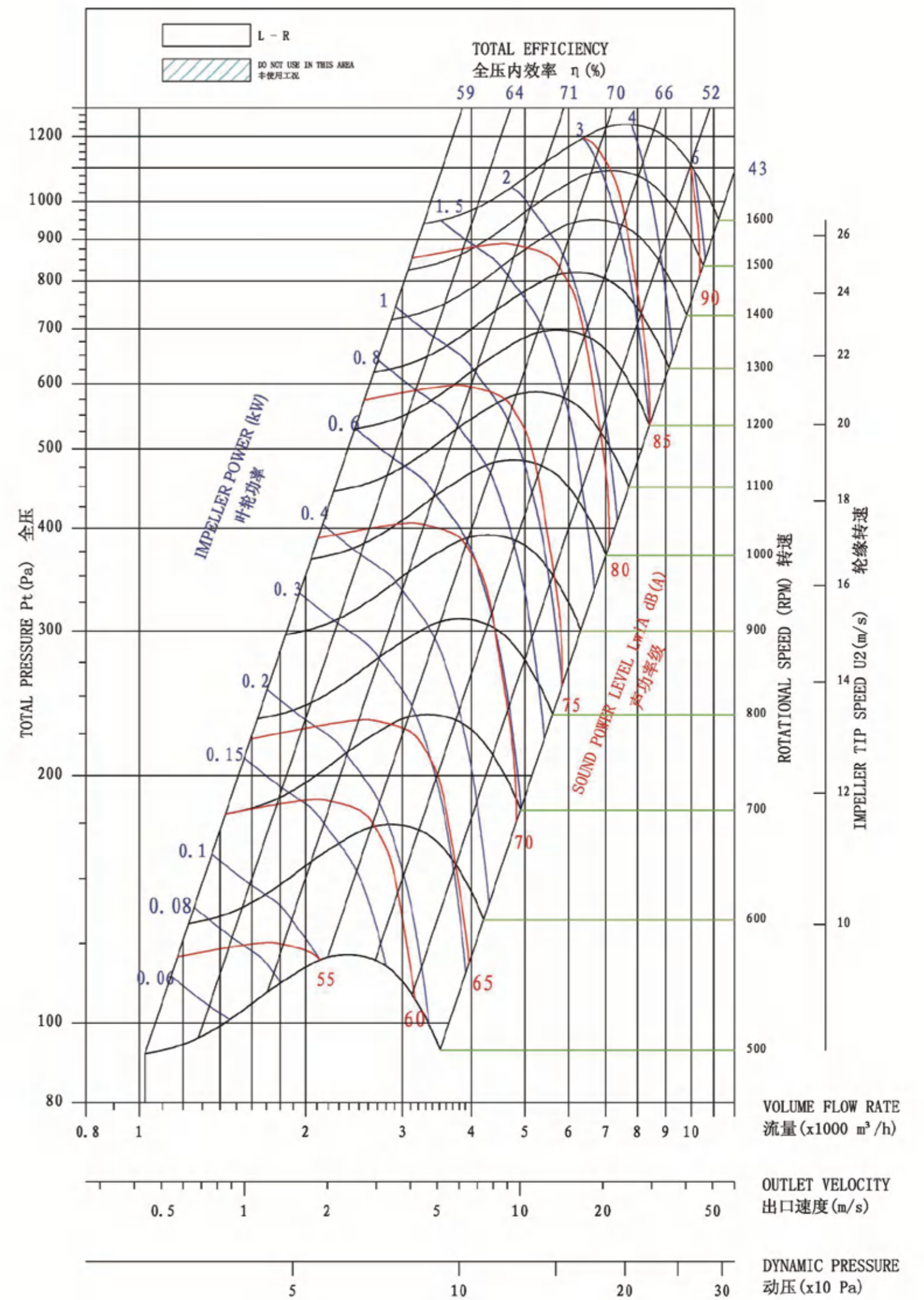
Performance shown is for installation type B, free inlet , duct outlet, and doesn't include the effects of appurtenances in the airstream.Power rating kW doesn't includedrive lesses.

# AT 10-10



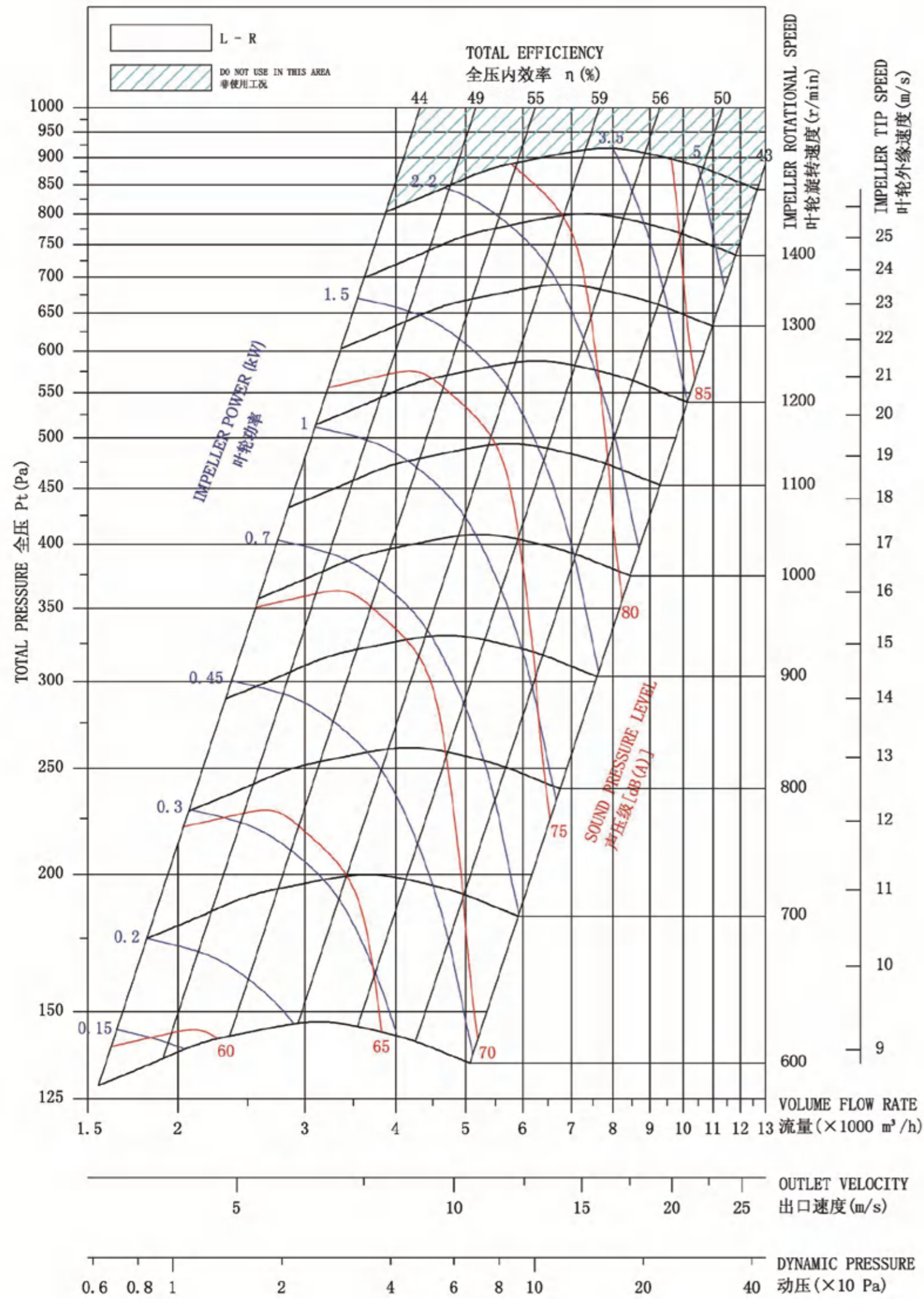
Performance shown is for installation type B, free inlet , duct outlet, and doesn't include the effects of appurtenances in the airstream.Power rating kW doesn't includedrive lessees.

# AT 12-9



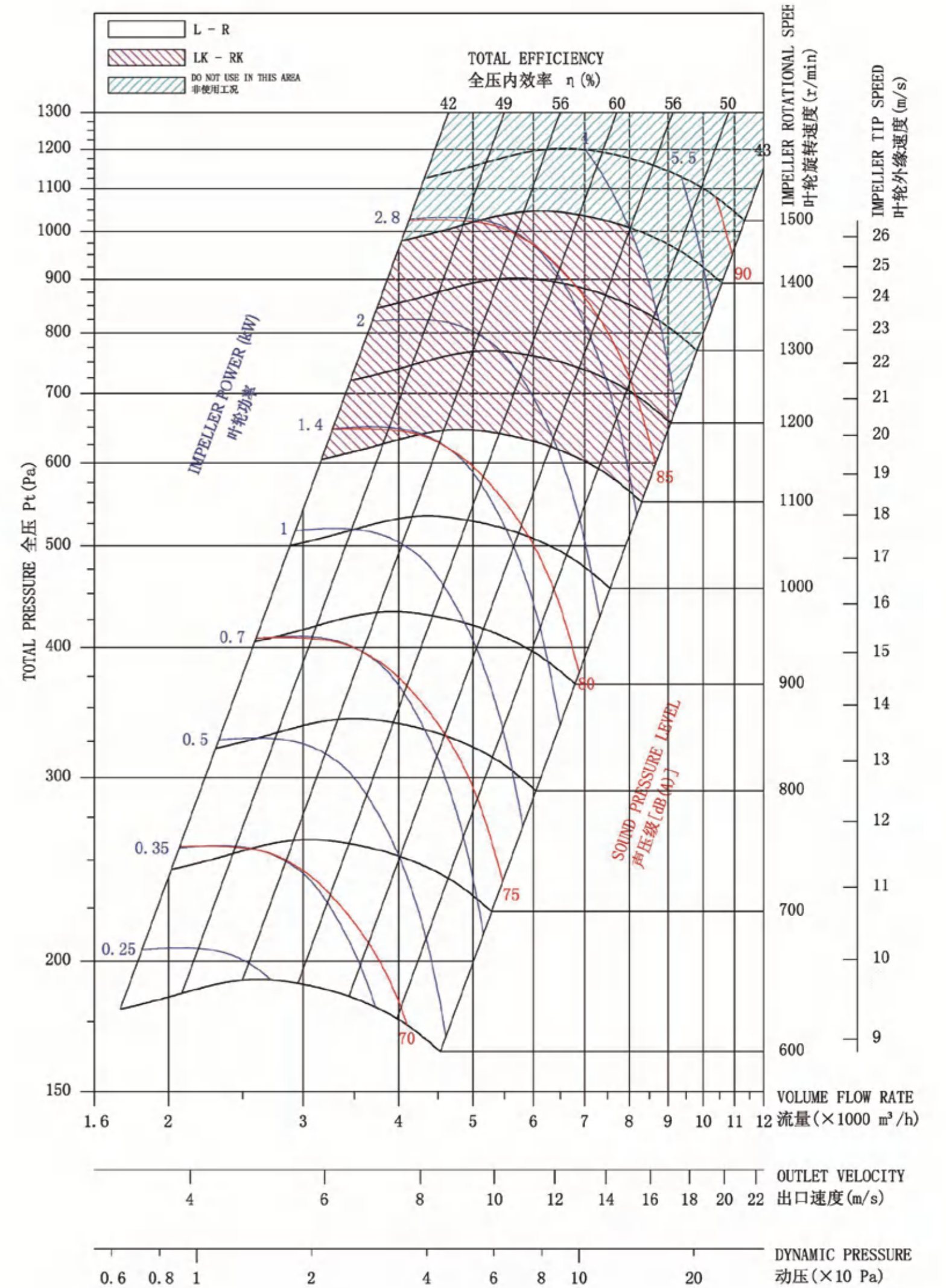
Performance shown is for installation type B, free inlet , duct outlet, and doesn't include the effects of appurtenances in the airstream.Power rating kW doesn't includedrive lessees.

# AT 12-12



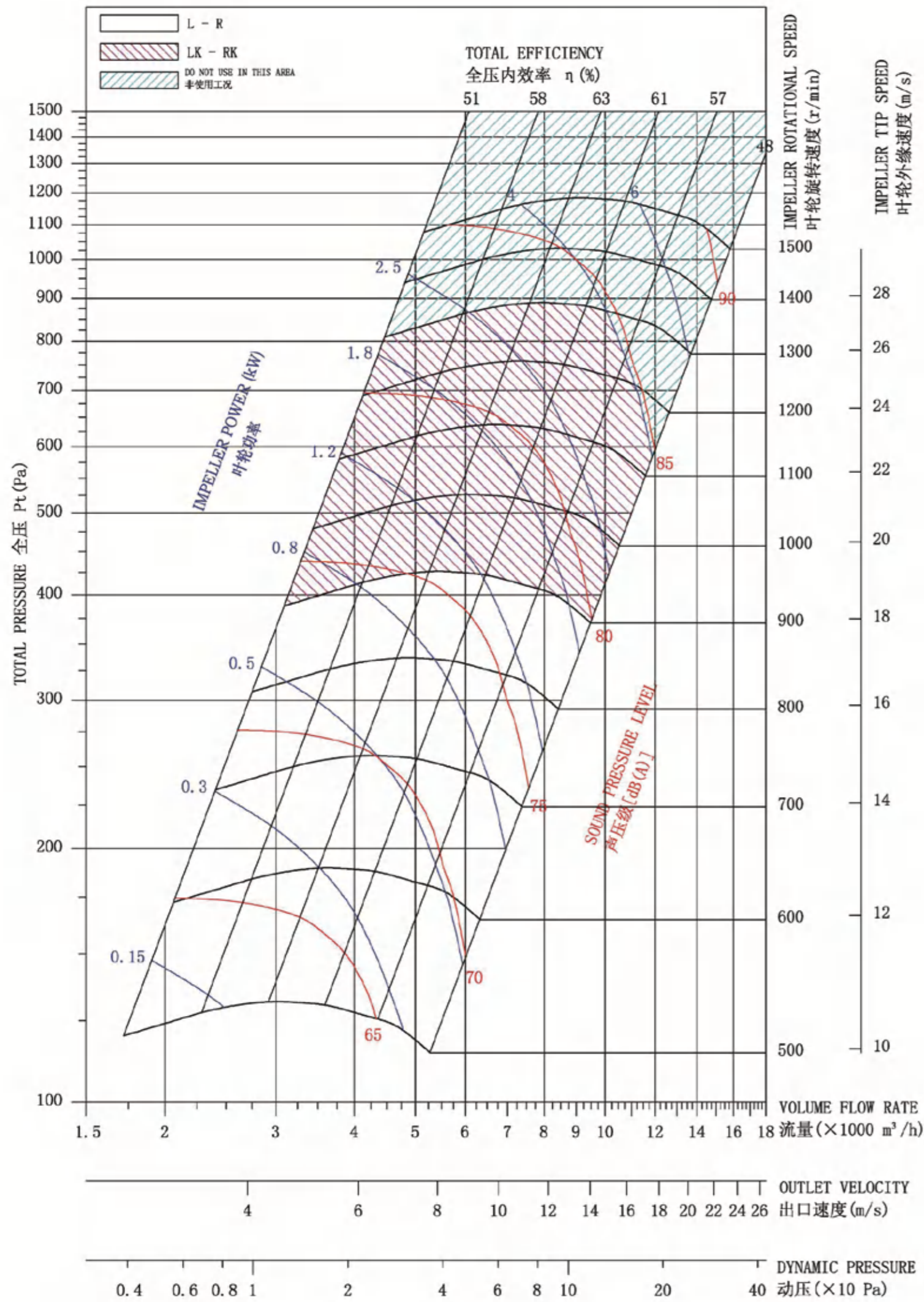
Performance shown is for installation type B, free inlet , duct outlet, and doesn't include the effects of appurtenances in the airstream. Power rating kW doesn't includedrive lessees.

# AT 15-11



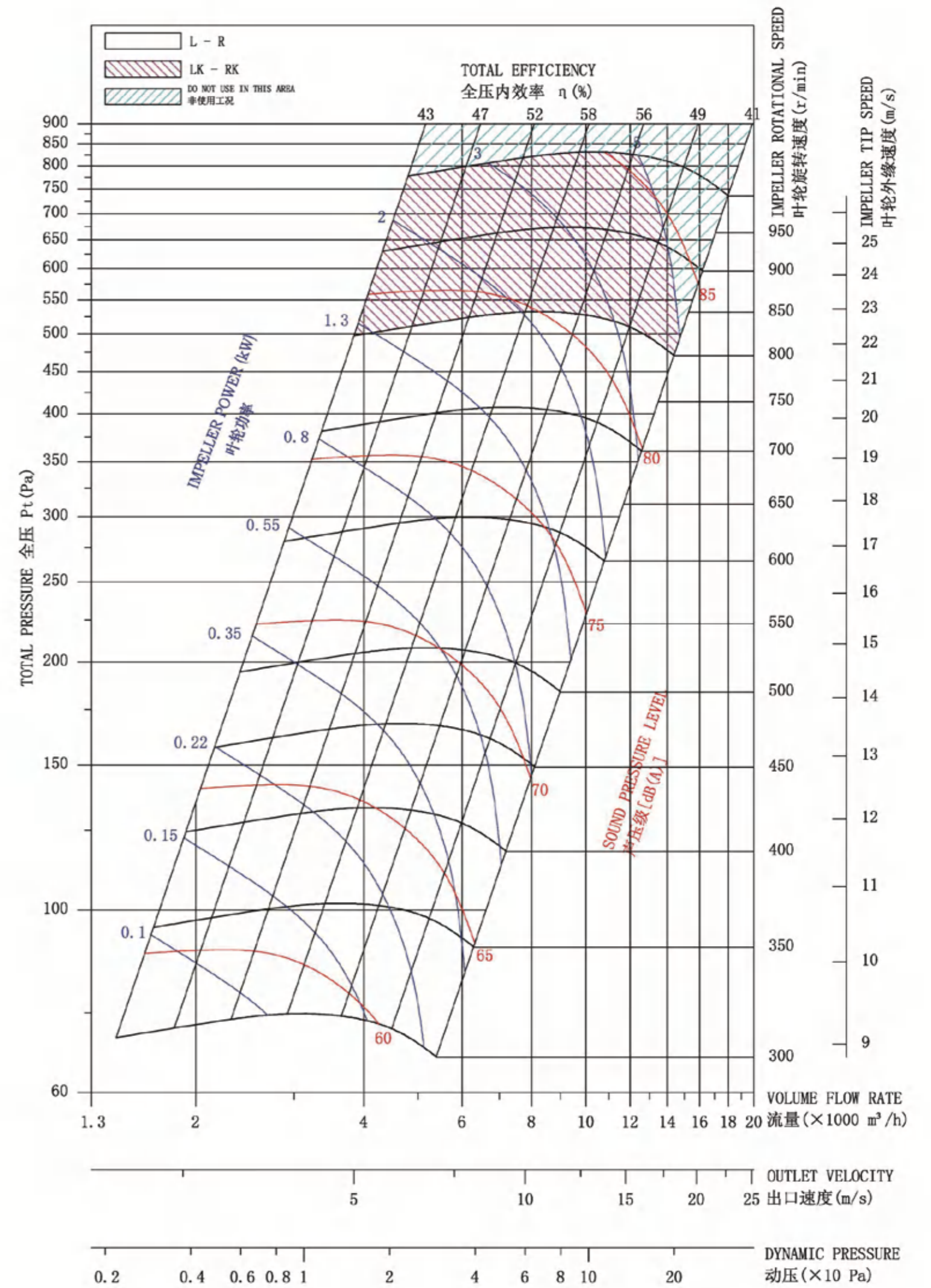
Performance shown is for installation type B, free inlet , duct outlet, and doesn't include the effects of appurtenances in the airstream. Power rating kW doesn't includedrive lessees.

# AT 15-15



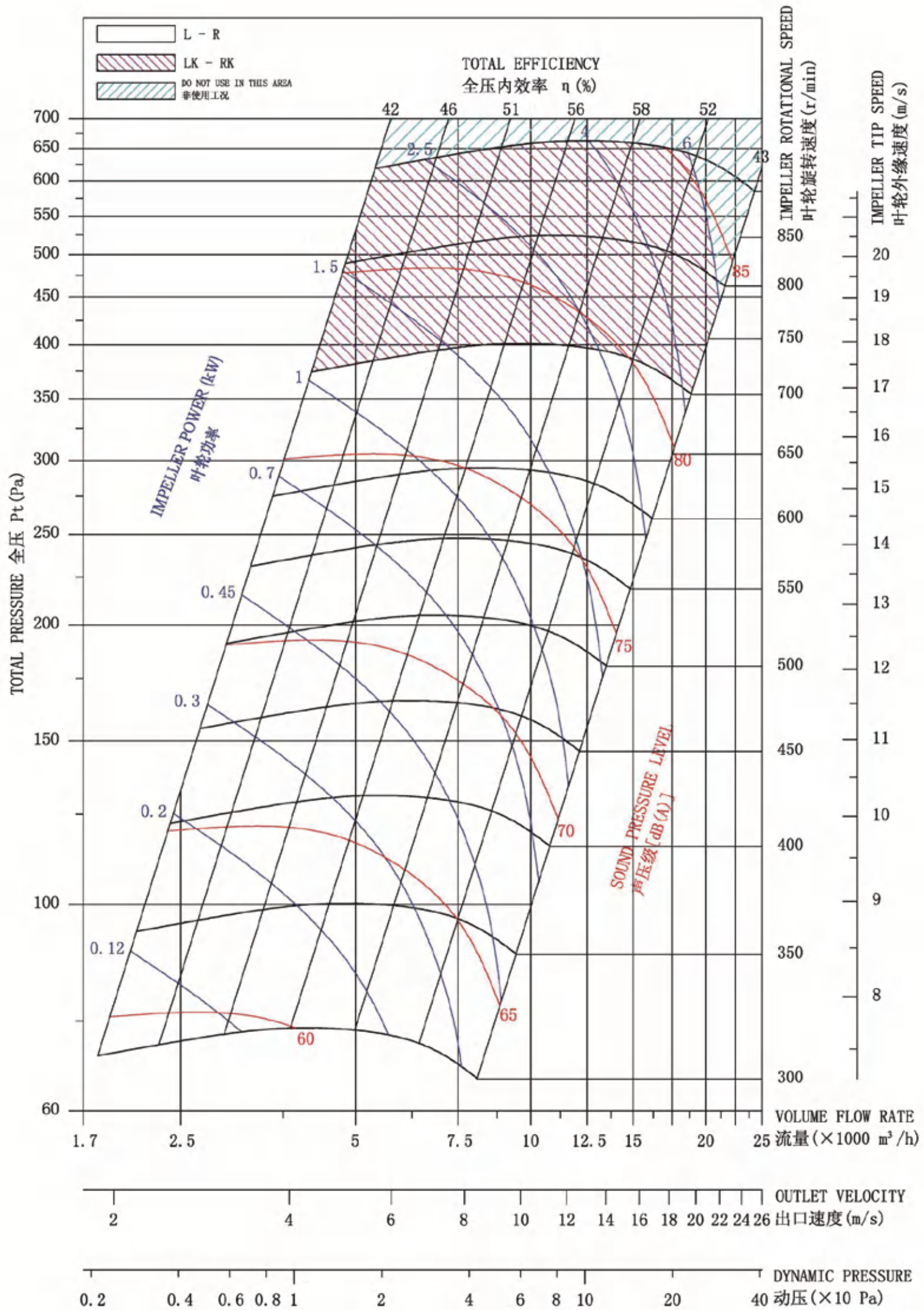
Performance shown is for installation type B, free inlet , duct outlet, and doesn't include the effects of appurtenances in the airstream. Power rating kW doesn't includedrive lessees.

# AT 18-13



Performance shown is for installation type B, free inlet , duct outlet, and doesn't include the effects of appurtenances in the airstream. Power rating kW doesn't includedrive lessees.

# AT 18-18



Performance shown is for installation type B, free inlet , duct outlet, and doesn't include the effects of appurtenances in the airstream. Power rating kW doesn't includedrive losses.