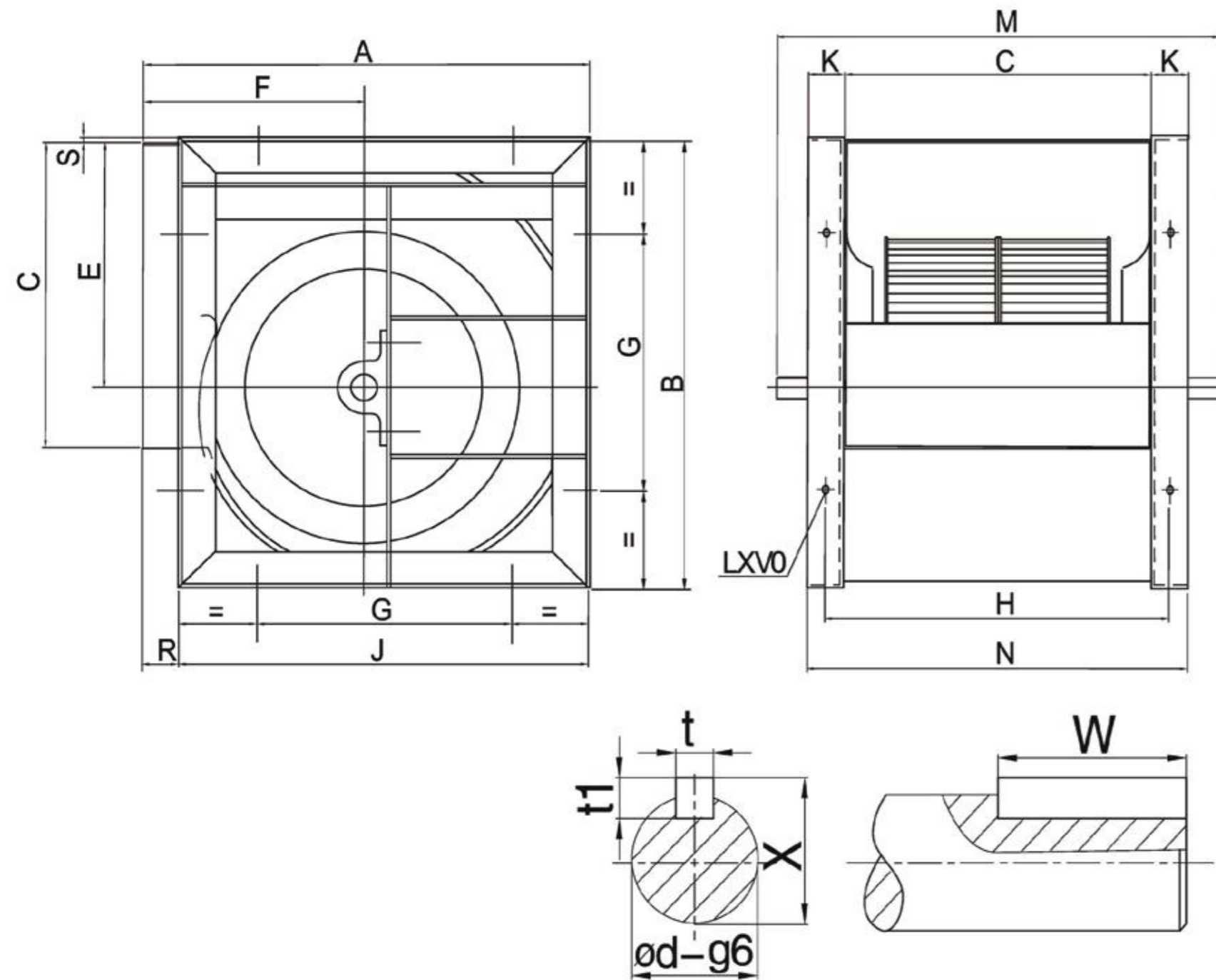


# ***ADH Series Centrifugal Blower***

Professional HVAC Fan & Motors Manufacturer



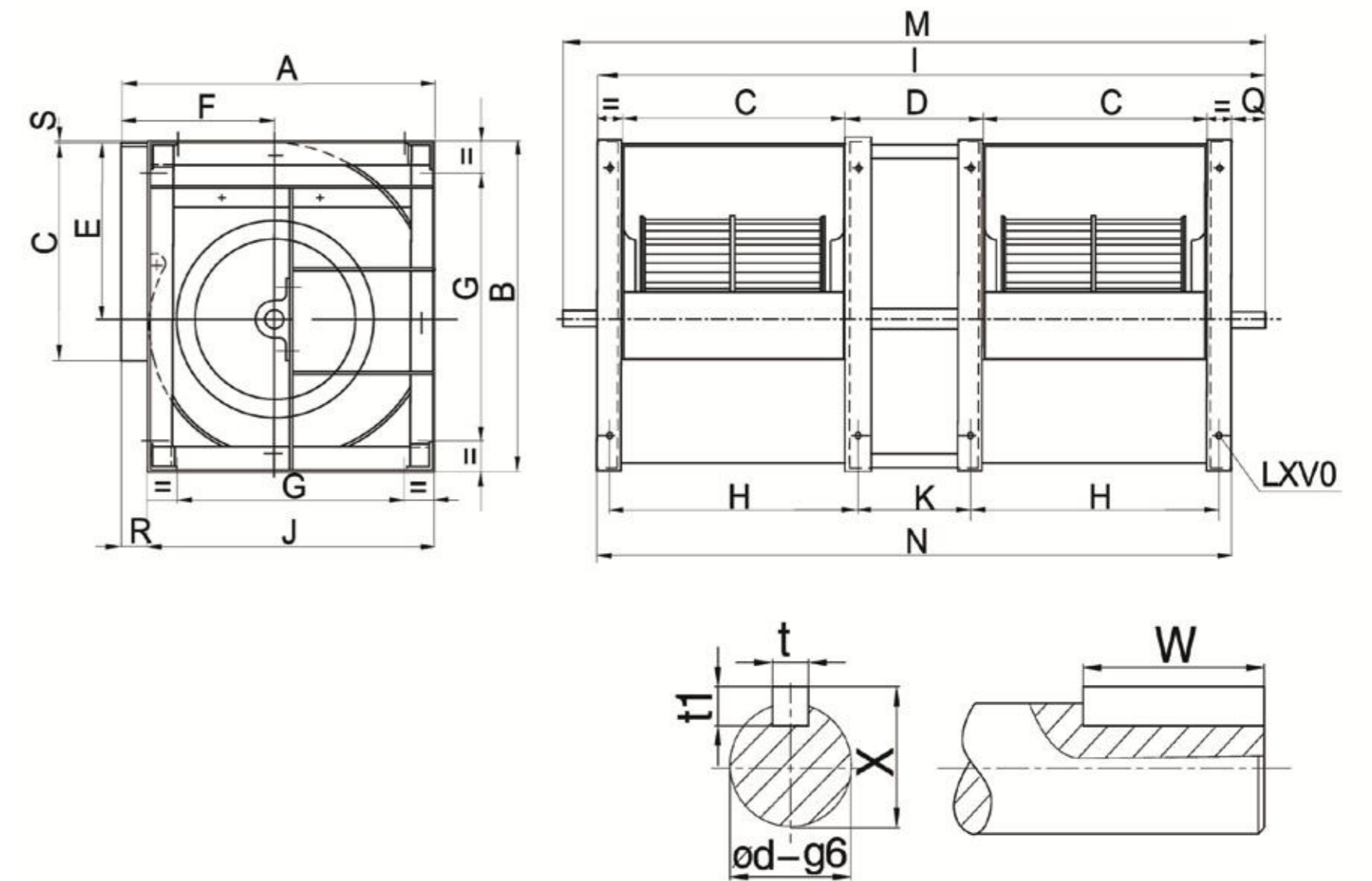
## ADH - K



### Technical Specifications

Model	A	B	C	E	F	G	H	J	K	M	N	R	S	t	t1	W	X	Φd	LxV
280	466	518	361	302	215	280	391	432	30	580	421	34	5	8	7	40	33	30	13×18
315	518	578	404	340	236	280	434	480	30	625	464	38	3	8	7	40	33	30	13×18
355	578	655	453	383	261	355	493	548	40	685	533	30	6	10	8	50	38	35	13×18
400	651	736	507	431.5	290	355	547	613	40	790	587	38	4.5	10	8	70	38	35	13×18
450	726	827	569	486	322	530	609	681	40	850	649	45	5	12	8	70	43	40	13×18
500	800	918	638	538	352	530	678	750	40	920	718	50	5	12	8	70	43	40	13×18
560	893	1030	715	602	390	530	765	845	50	1070	815	48	8	14	9	90	53.5	50	13×18
630	999	1157	801	678.5	434	530	851	946	50	1155	901	53	7	14	9	90	53.5	50	13×18
710	1121	1303	898	765	485	630	948	1058	50	1290	998	63	7	18	11	90	64	60	17×22
800	1250	1468	1007	862	535	710	1057	1181	50	1450	1107	69	7	18	11	90	64	60	17×22
900	1408	1648	1130	971	604	800	1180	1319	60	1570	1250	89	9	18	11	100	64	60	17×22
1000	1541	1810	1267	1066	657	900	1317	1462	60	1700	1387	79	9	18	11	100	64	60	17×22

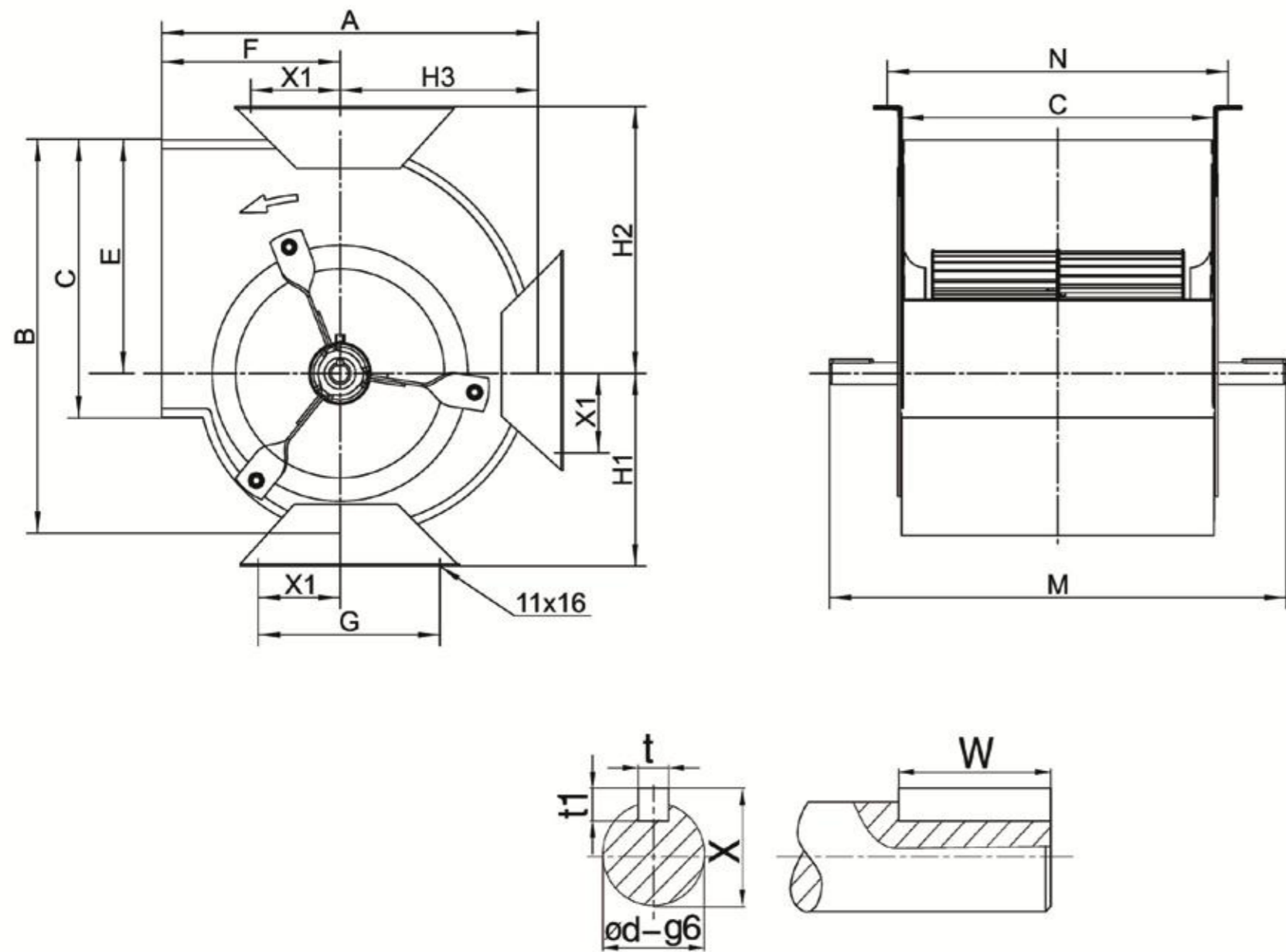
## ADH - K2



### Technical Specifications

Model	A	B	C	D	E	F	G	H	I	J	K	M	N	Q	R	S	t	t1	Φd	W	X	LxV
355	578	655	453	355	383	261	355	493	1451	548	315	/	1341	110	30	6	8	8	40	70	43	13×18
400	651	736	507	400	431.5	290	355	547	1604	613	360	/	1494	110	38	4.5	8	8	40	70	43	13×18
450	726	827	569	450	486	322	530	609	1803	681	410	/	1668	135	45	5	9	9	45	90	48.5	13×18
500	800	918	638	500	538	352	530	678	1991	750	460	/	1856	135	50	5	9	9	50	90	53.5	13×18
560	893	1030	712	560	603	390	530	765	2217.5	845	510	2345	2090	127.5	48	8	9	9	50	90	53.5	13×18
630	999	1157	801	630	678.5	434	530	851	2459	946	580	2586	2332	127	53	7	9	9	50	90	53.5	13×18
710	1121	1303	898	710	765	485	630	948	2752	1058	660	2898	2606	146	63	7	11	11	60	90	64	17×22
800	1250	1468	1007	800	862	535	710	1057	3085.5	1181	750	3257	2914	171.5	69	7	11	11	60	90	64	17×22
900	1408	1648	1130	900	971	604	800	1180	3420	1319	850	3580	3260	160	89	9	11	11	60	100	64	17×22
1000	1541	1810	1267	1000	1066	657	900	1317	3790.5	1462	950	3947	3634	156.5	79	9	11	11	60	100	64	17×22

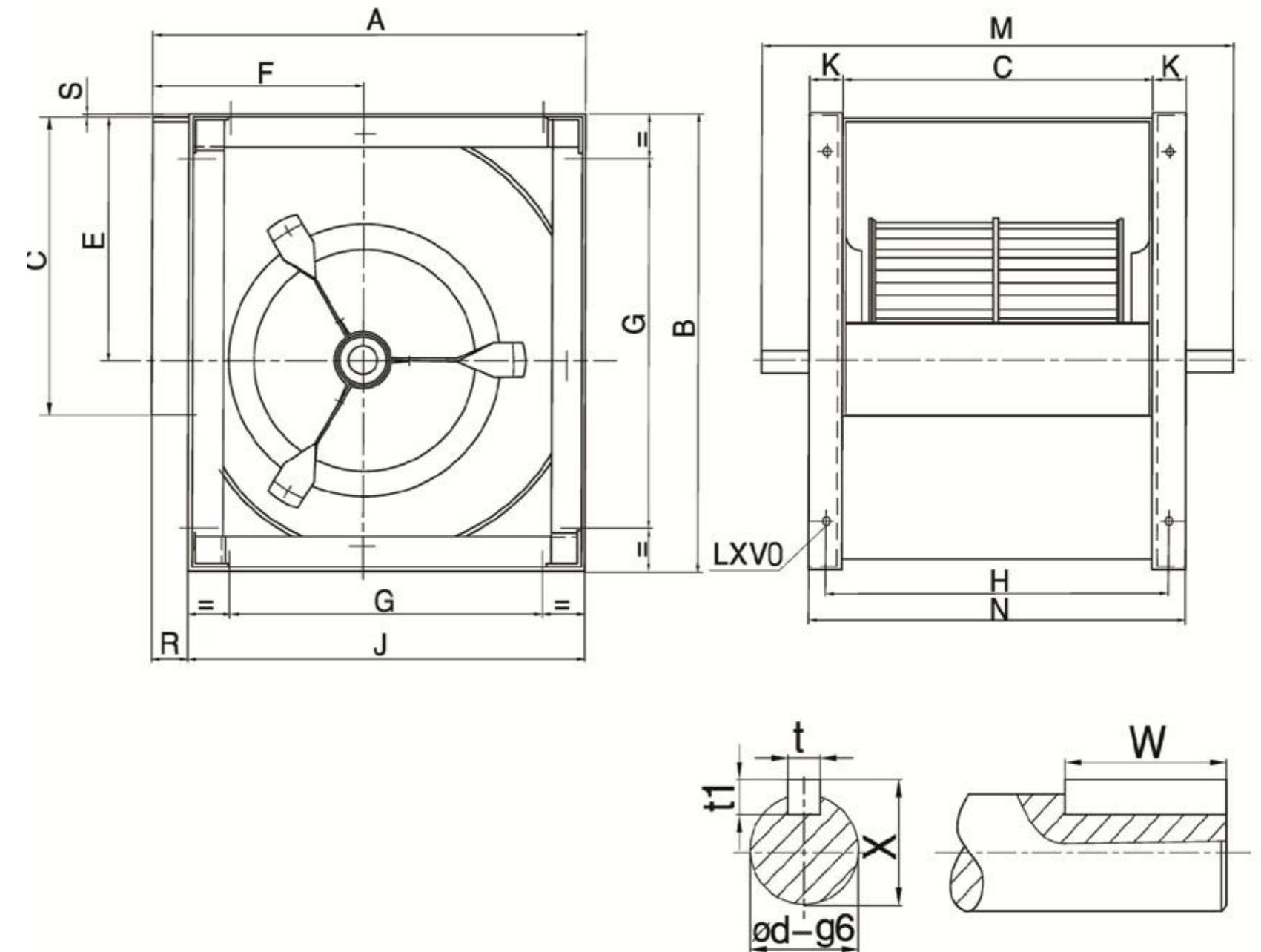
## ADH-L



### Technical Specifications

Model	A	B	C	E	F	G	J	M	N	X1	H1	H2	H3	t	t1	X	W	Φd
200	342	364	256	215	164	224	281	420	306	112	181	245	184	6	6	22.5	40	20
225	380	407.8	288	243	180	224	313	460	338	112	197	274	204	6	6	22.5	50	20
250	417	454	322	270	195	224	347	490	372	112	210	299	227	6	6	22.5	50	20

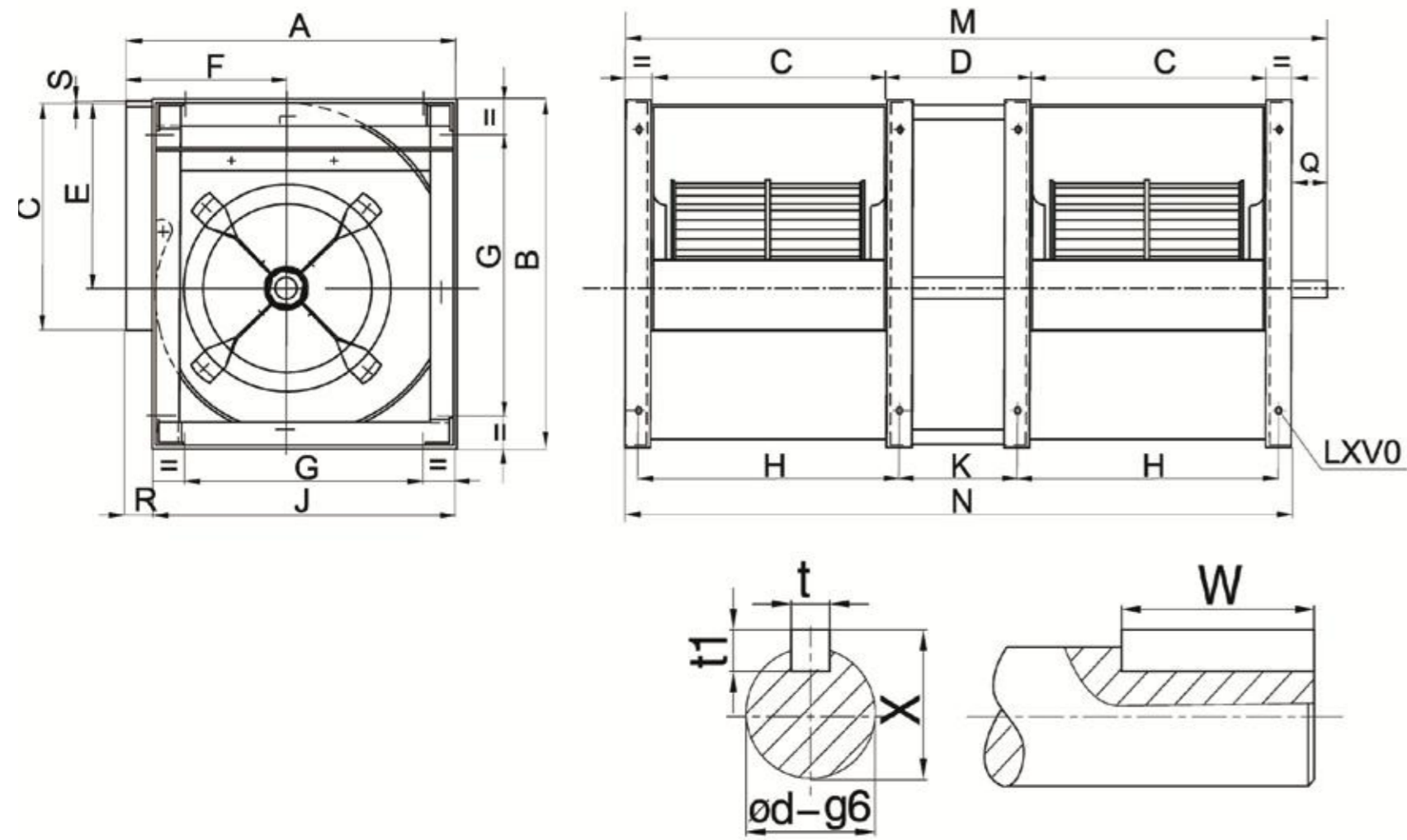
## ADH - R



### Technical Specifications

Model	A	B	C	E	F	G	H	J	K	M	N	R	S	t	t1	W	X	Φd	LxV
280	466	518	361	302	215	280	391	432	30	555	421	34	5	8	7	40	28	25	13×18
315	518	578	404	340	236	280	434	480	30	600	464	38	3	8	7	40	28	25	13×18
355	578	655	453	383	261	355	493	548	40	675	533	30	6	8	7	65	33	30	13×18
400	651	736	507	431.5	290	355	547	613	40	725	587	38	4.5	8	7	65	33	30	13×18
450	726	827	569	486	322	530	609	681	40	815	649	45	5	10	8	70	38	35	13×18
500	800	914	638	538	352	530	678	750	40	885	718	50	5	10	8	50	38	35	13×18
560	893	1030	715	602	390	530	765	845	50	1000	815	48	8	12	8	70	43	40	13×18
630	999	1157	801	678.5	434	530	851	946	50	1090	901	53	7	14	9	70	48.5	45	13×18
710	1121	1303	898	765	485	630	948	1058	50	1255	998	63	7	14	9	90	53.5	50	17×22

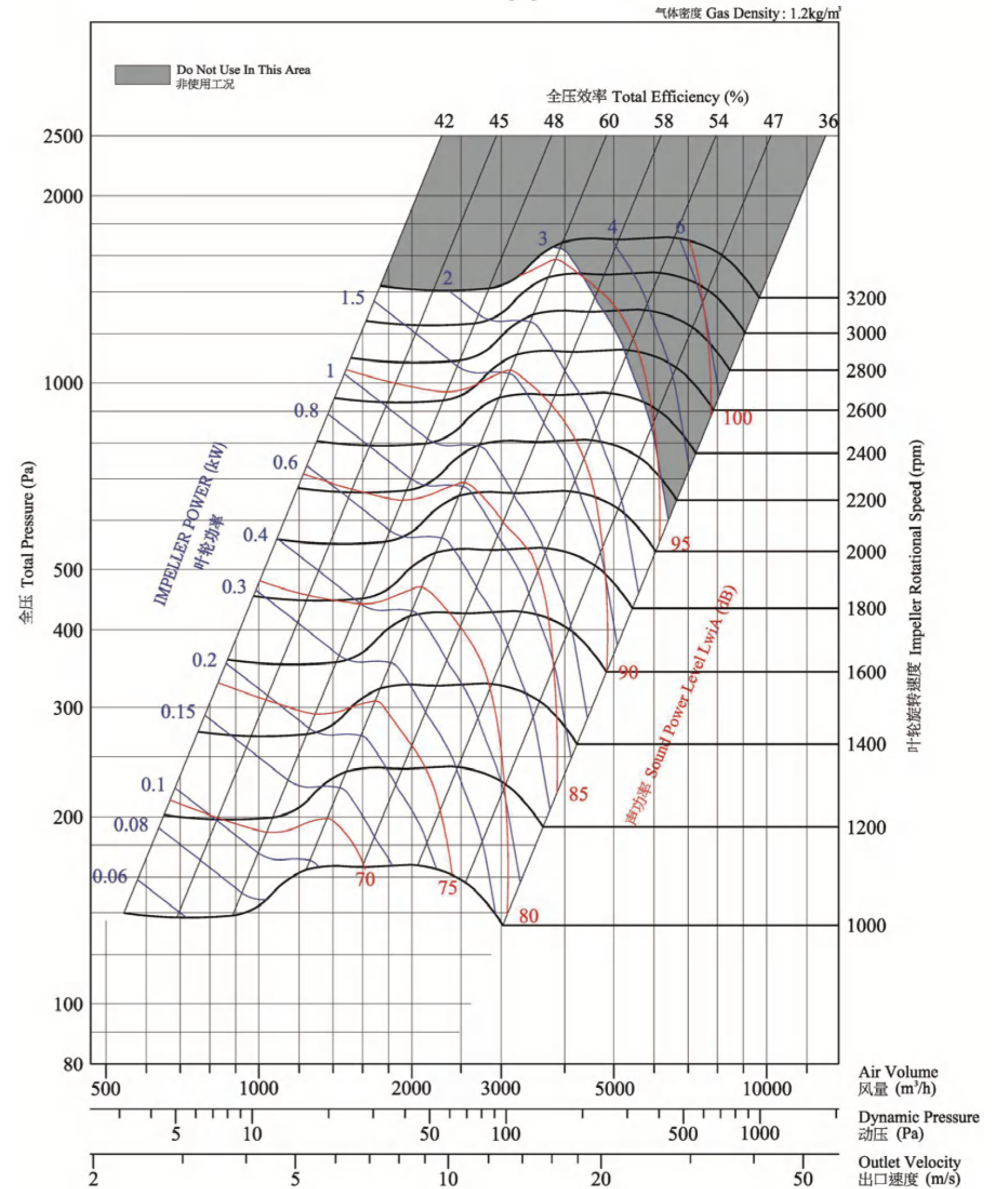
# ADH - R2



## Technical Specifications

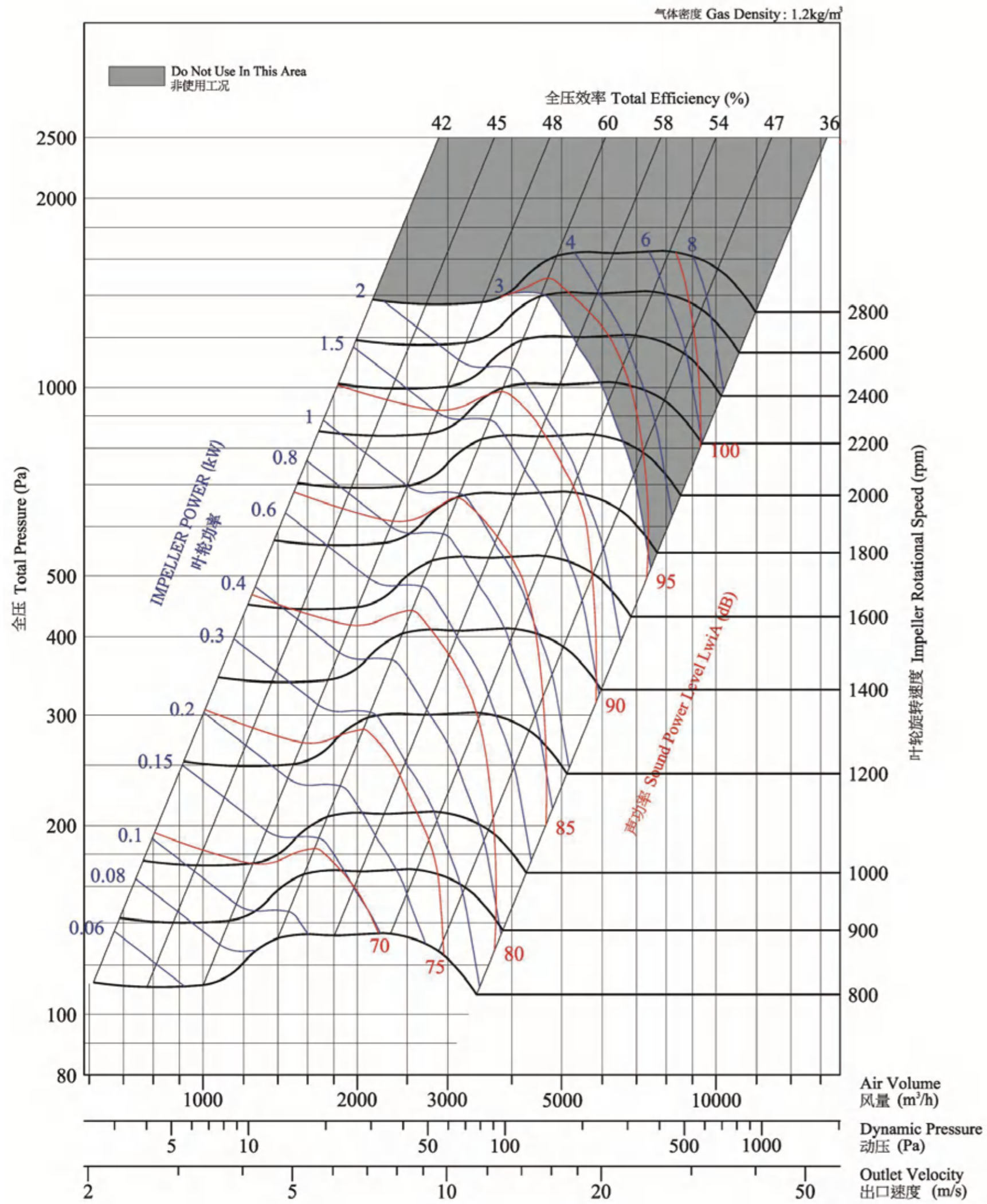
Model	A	B	C	D	E	F	G	H	J	K	M	N	Q	R	S	t	t1	W	X	Φd	LxV
280	466	518	361	280	302	215	280	391	432	250	1140	1062	78	34	5	8	7	60	33	30	13×18
315	518	578	404	315	340	236	280	434	480	285	1263	1183	80	38	3	8	7	60	33	30	13×18
355	578	655	453	355	383	261	355	493	548	315	1431	1341	90	30	6	10	8	50	38	35	13×18
400	650	736	507	400	432	290	355	547	612	360	1582	1494	98	38	4	10	8	50	38	35	13×18
450	726	827	569	450	486	322	530	609	681	410	1768	1668	100	45	5	12	8	70	43	40	13×18
500	800	918	638	500	538	352	530	678	750	460	1956	1856	100	50	5	12	8	70	43	40	13×18

# ADH - 200



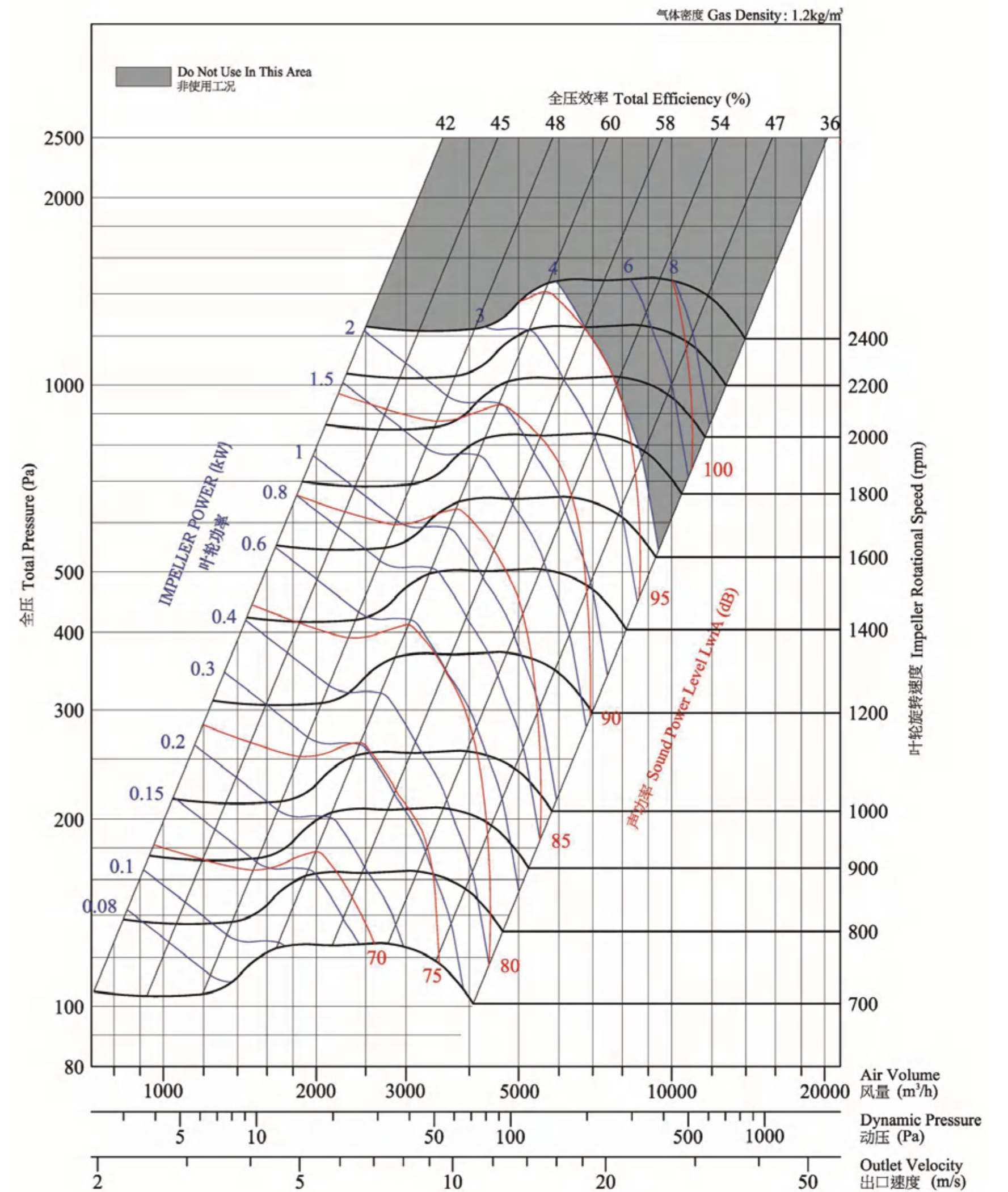
Performance shown is for installation type B, free inlet, duct outlet, and doesn't include the effects of appurtenances in the airstream. Power rating kW doesn't include drive losses.

# ADH - 225



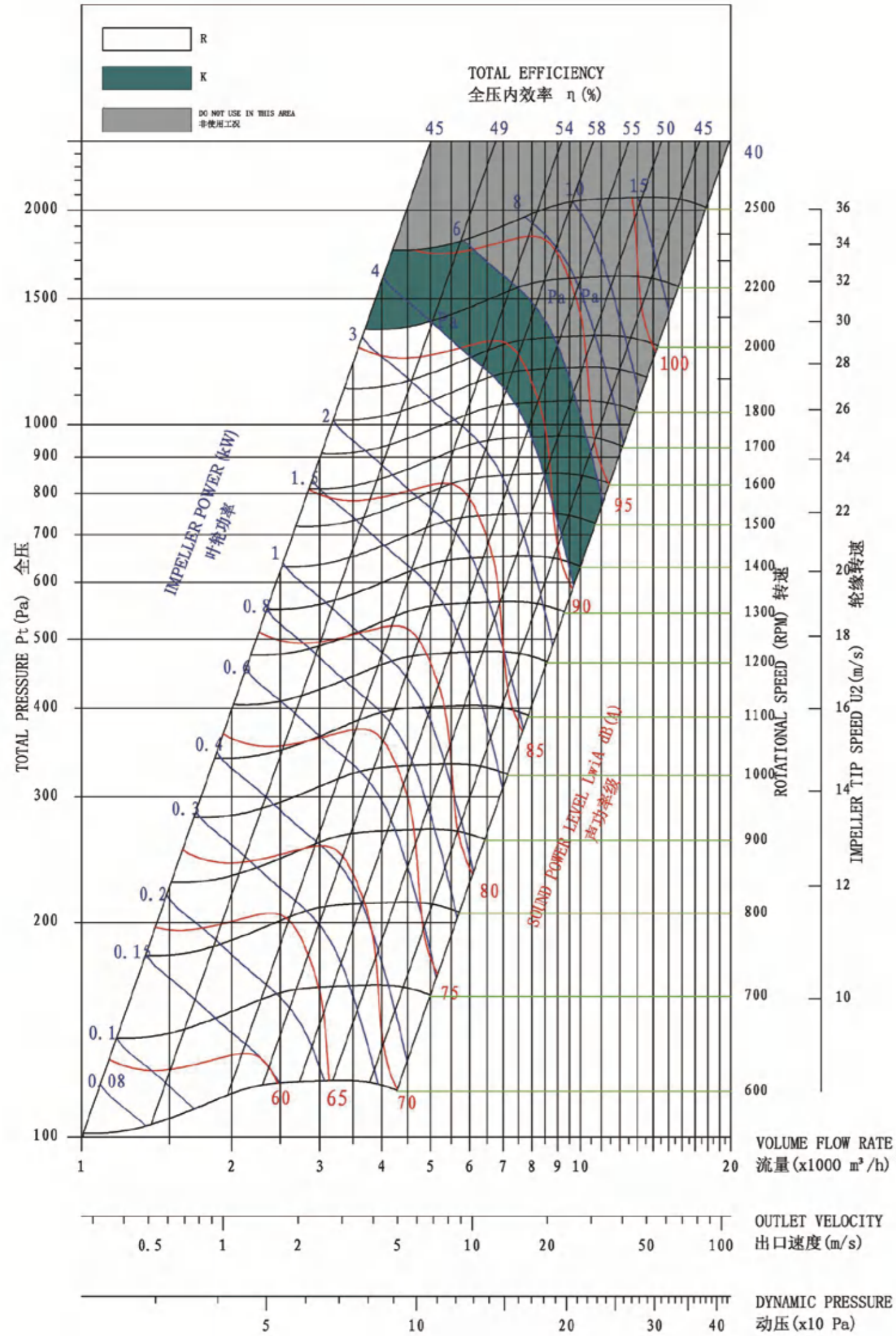
Performance shown is for installation type B, free inlet , duct outlet, and doesn't include the effects of appurtenances in the airstream.Power rating kW doesn't includedrive lessees.

# ADH - 250



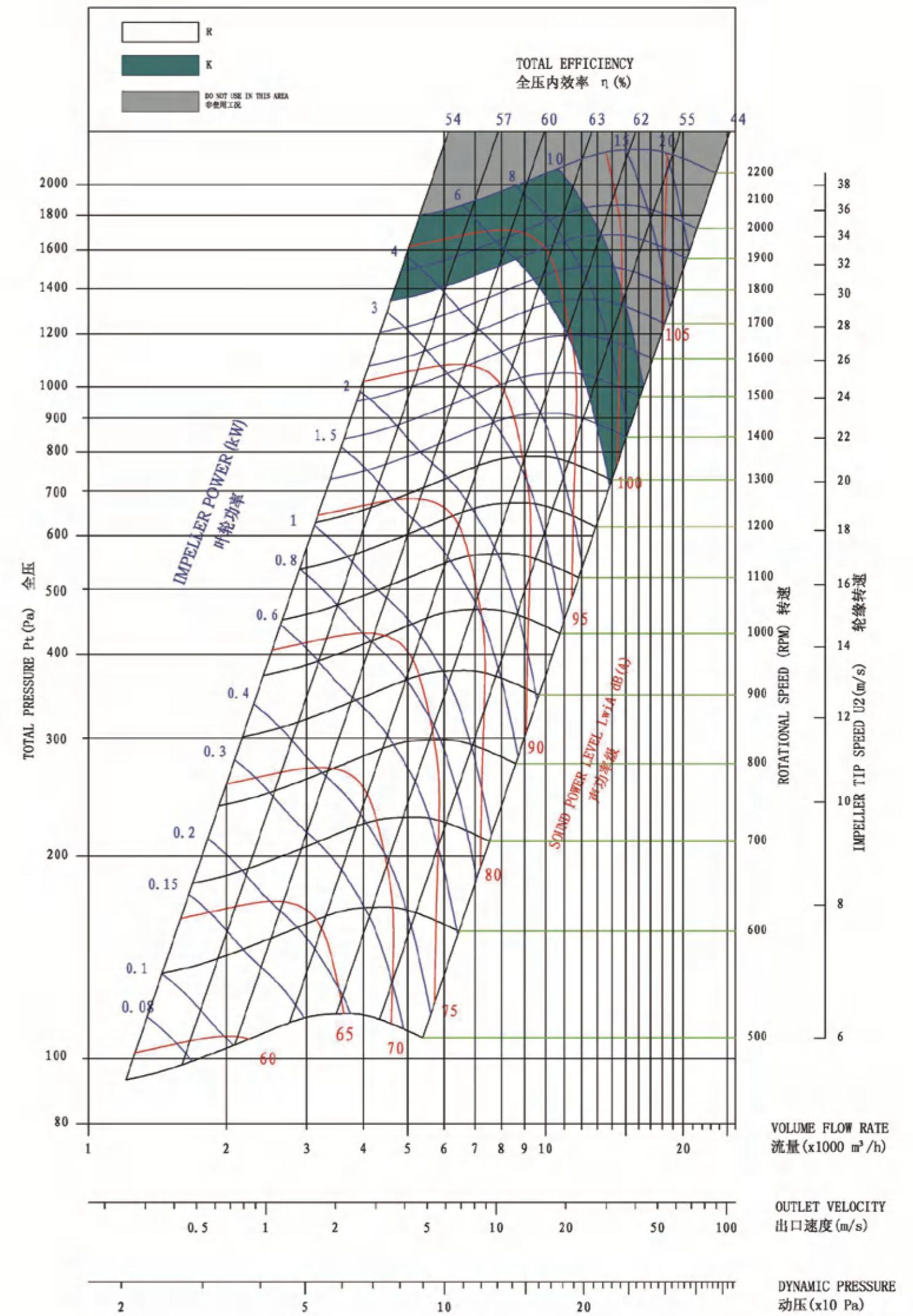
Performance shown is for installation type B, free inlet , duct outlet, and doesn't include the effects of appurtenances in the airstream.Power rating kW doesn't includedrive lessees.

# ADH - 280



Performance shown is for installation type B, free inlet , duct outlet, and doesn't include the effects of appurtenances in the airstream.Power rating kW doesn't includedrive lesses.

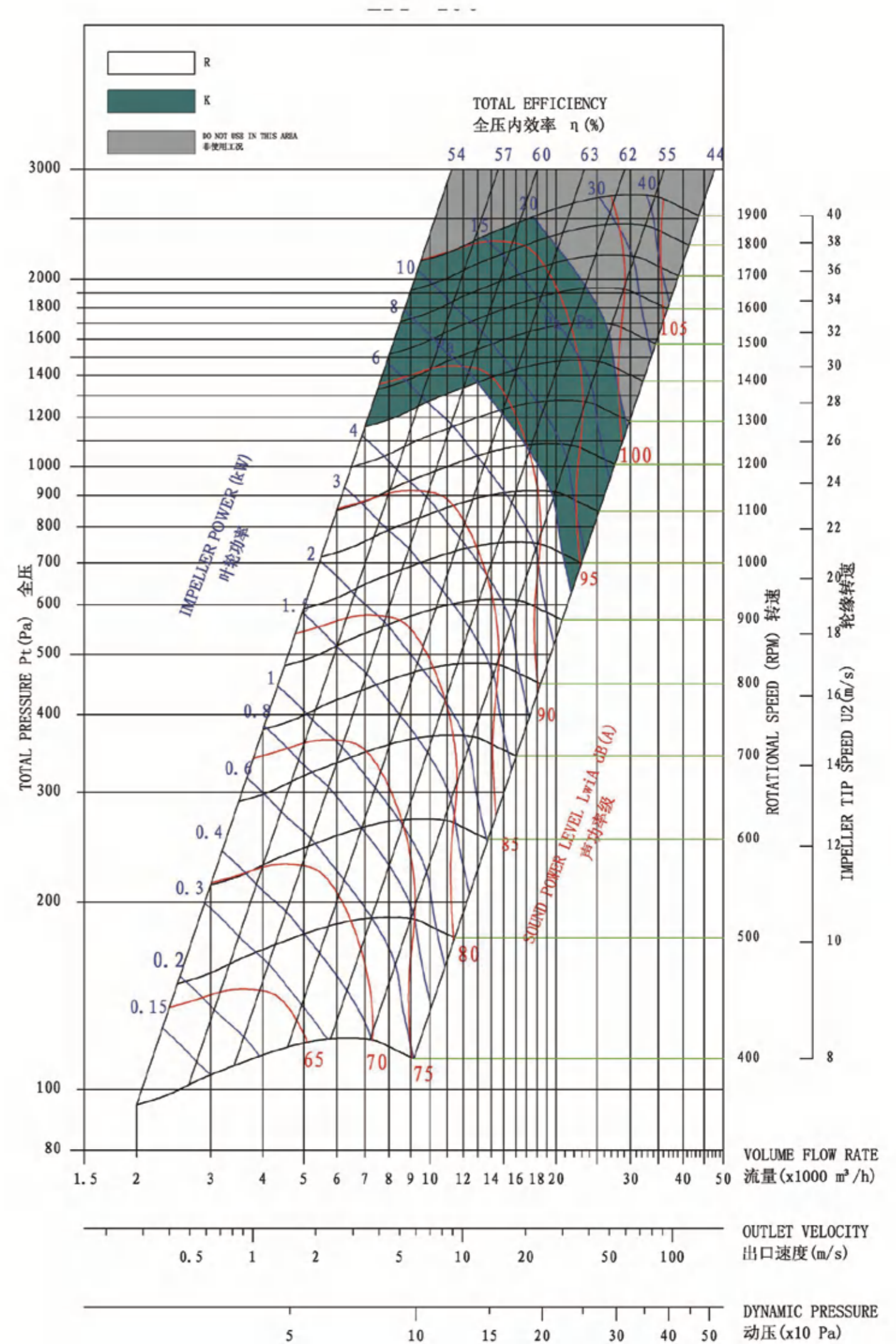
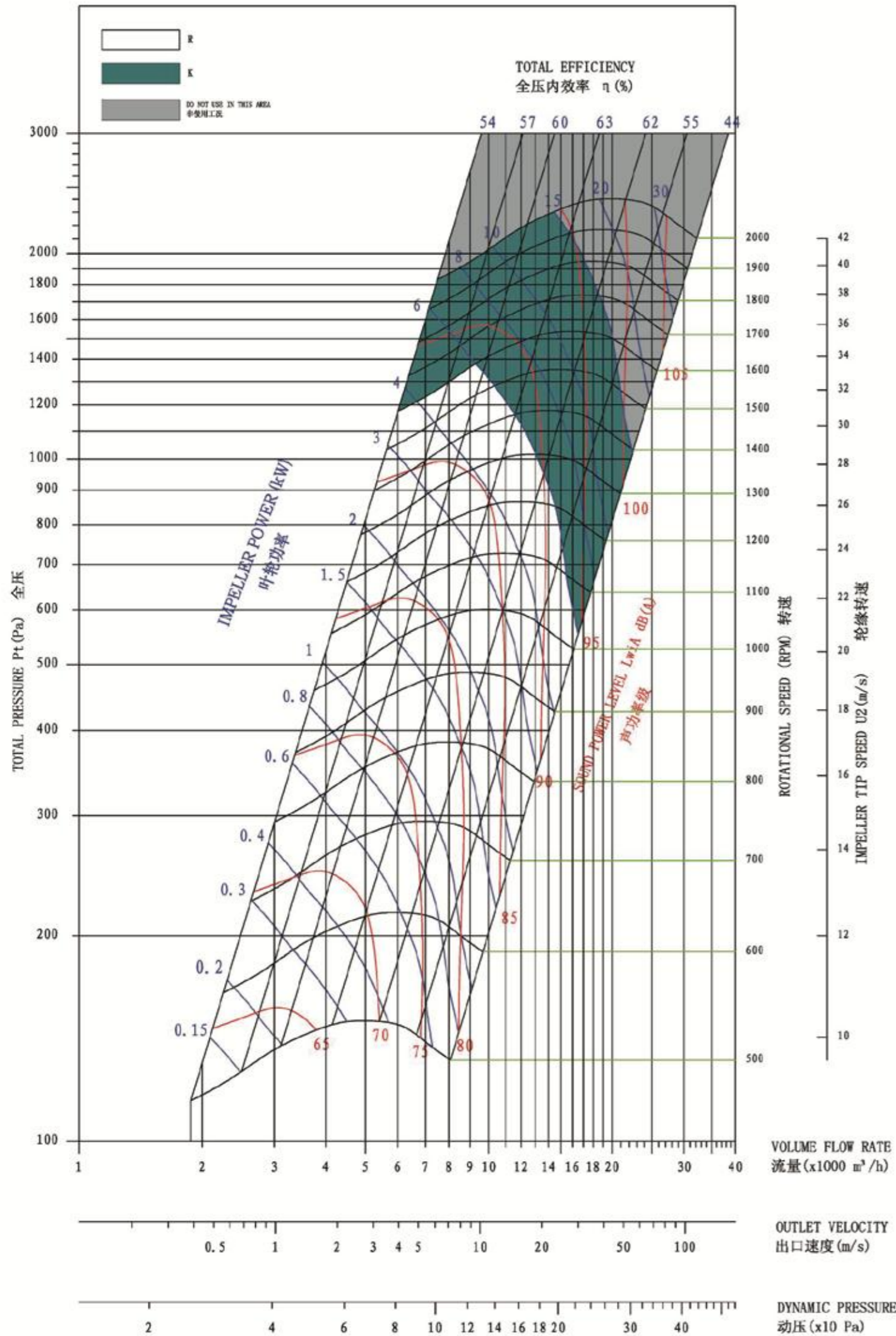
# ADH - 315



Performance shown is for installation type B, free inlet , duct outlet, and doesn't include the effects of appurtenances in the airstream.Power rating kW doesn't includedrive lesses.

# ADH - 355

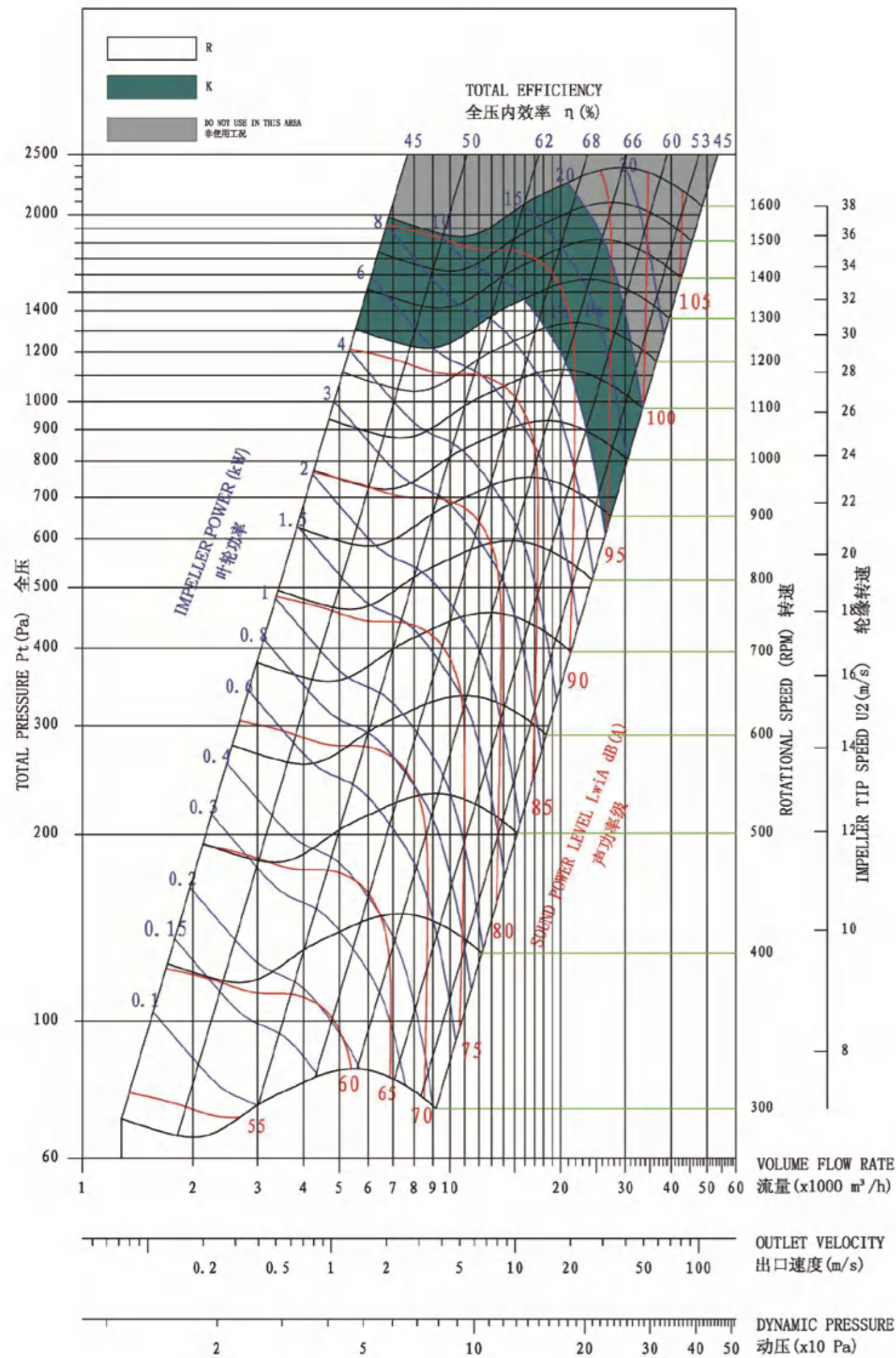
# ADH - 400



Performance shown is for installation type B, free inlet , duct outlet, and doesn't include the effects of appurtenances in the airstream.Power rating kW doesn't includedrive lessees.

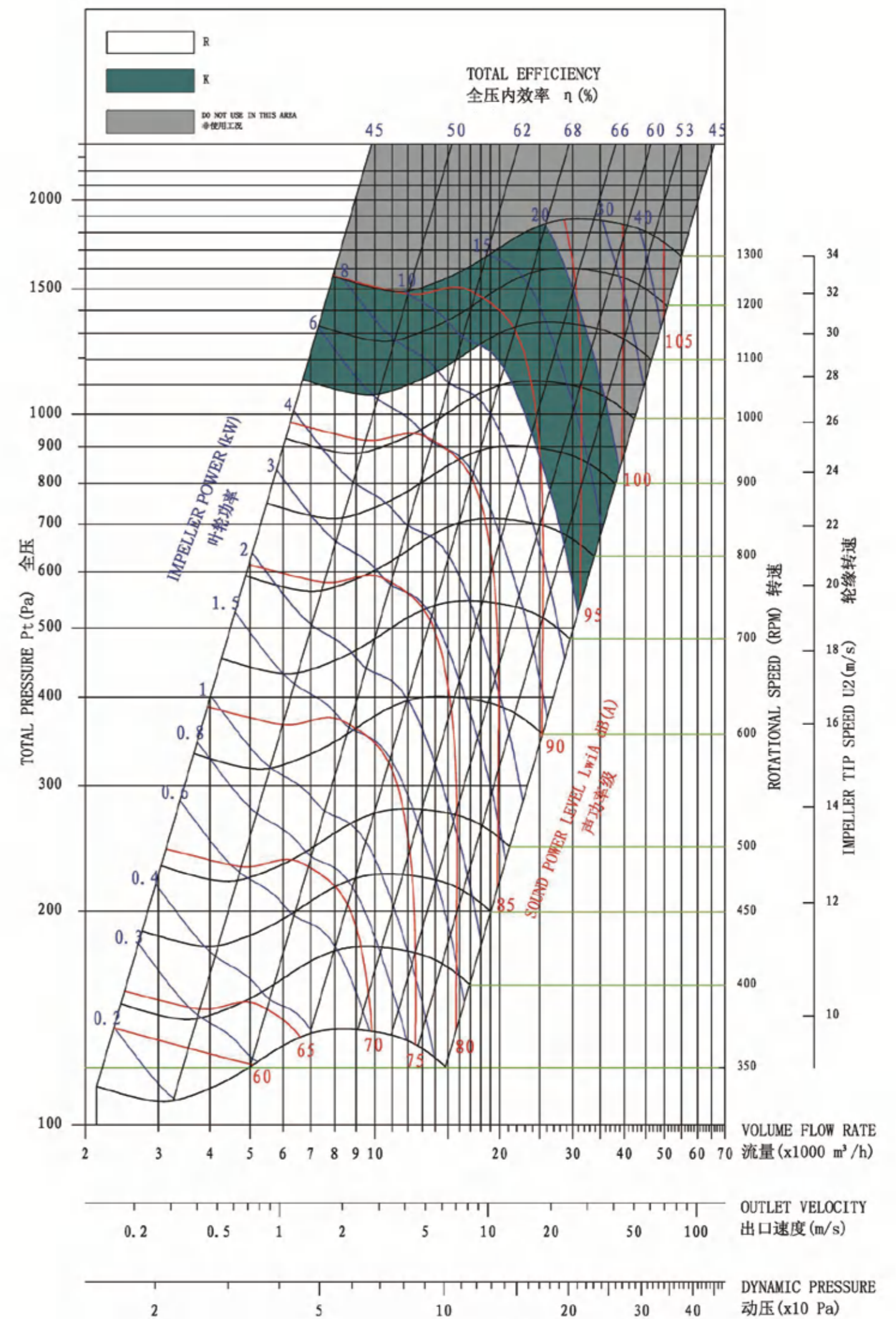
Performance shown is for installation type B, free inlet , duct outlet, and doesn't include the effects of appurtenances in the airstream.Power rating kW doesn't includedrive lessees.

# ADH - 450



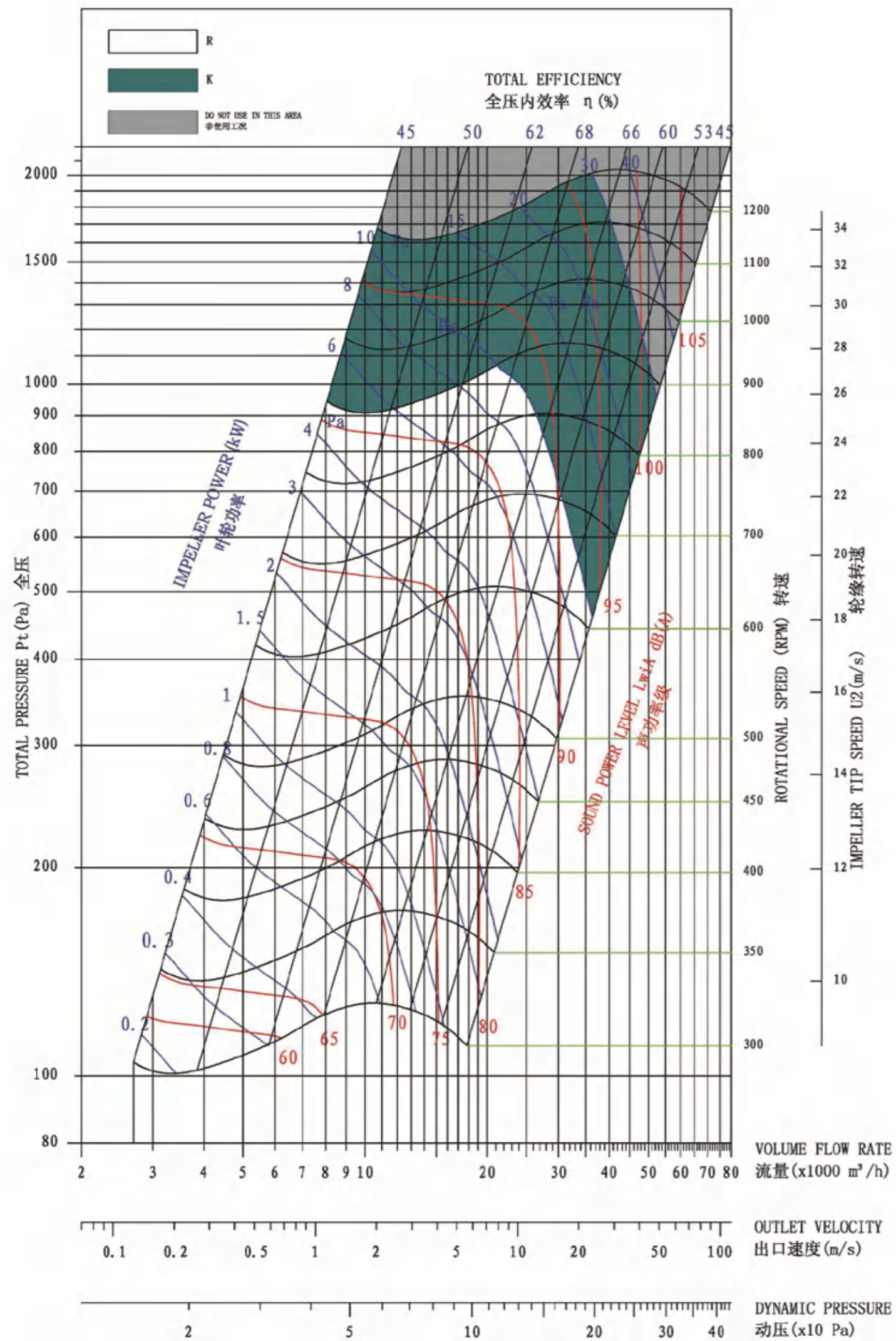
Performance shown is for installation type B, free inlet , duct outlet, and doesn't include the effects of appurtenances in the airstream.Power rating kW doesn't includedrive lessees.

# ADH - 500



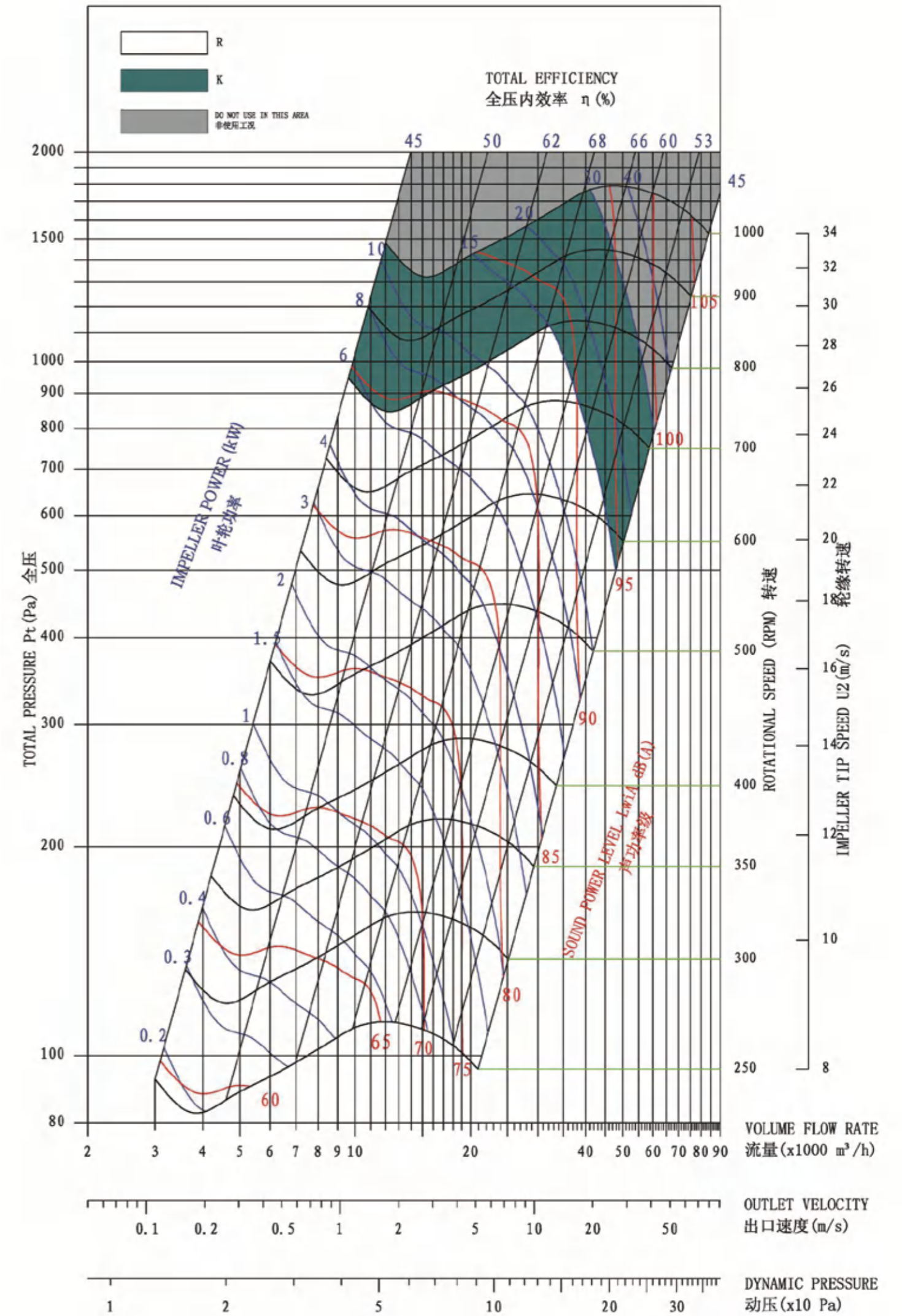
Performance shown is for installation type B, free inlet , duct outlet, and doesn't include the effects of appurtenances in the airstream.Power rating kW doesn't includedrive lessees.

# ADH - 560



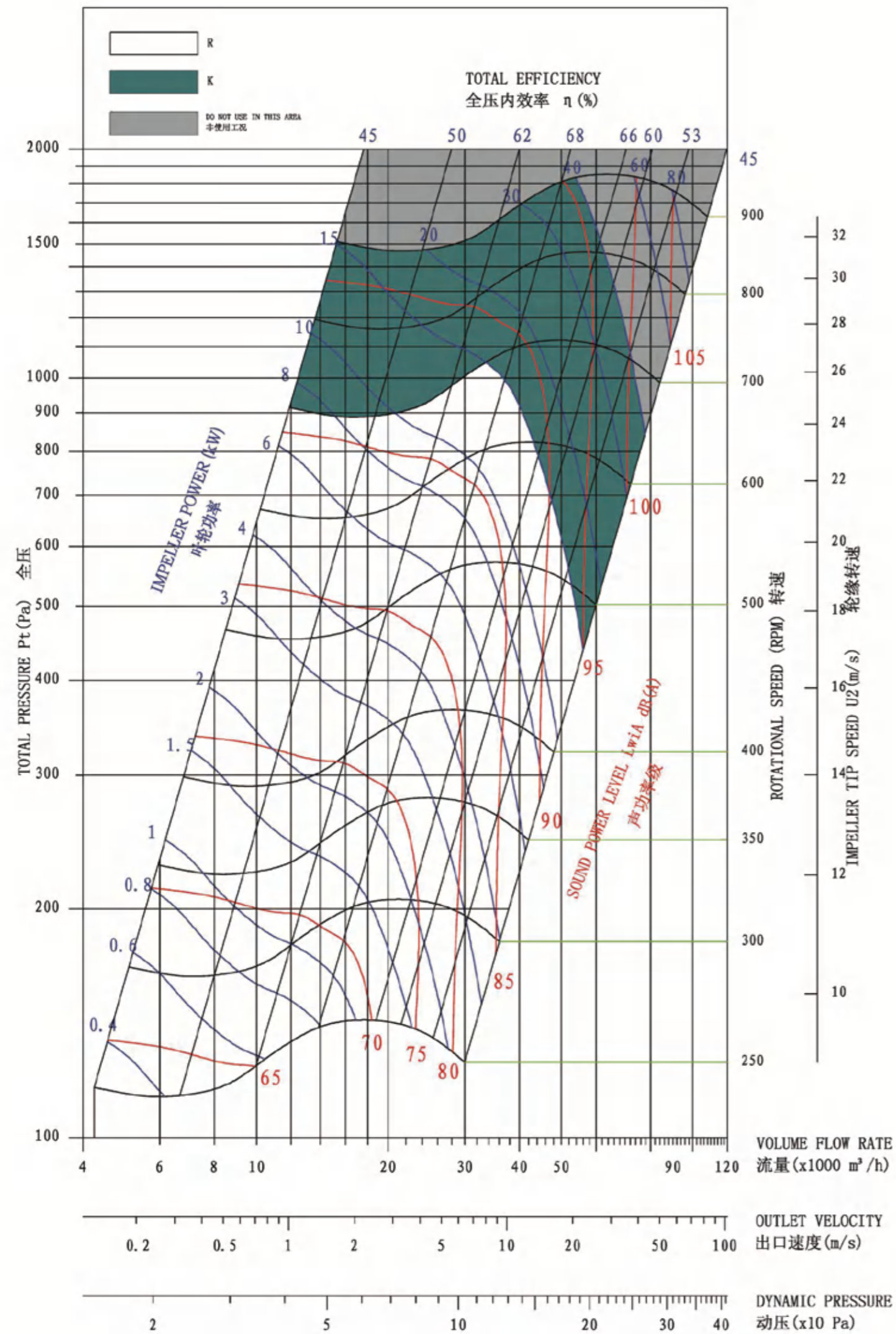
Performance shown is for installation type B, free inlet , duct outlet, and doesn't include the effects of appurtenances in the airstream. Power rating kW doesn't includedrive lessees.

# ADH - 630



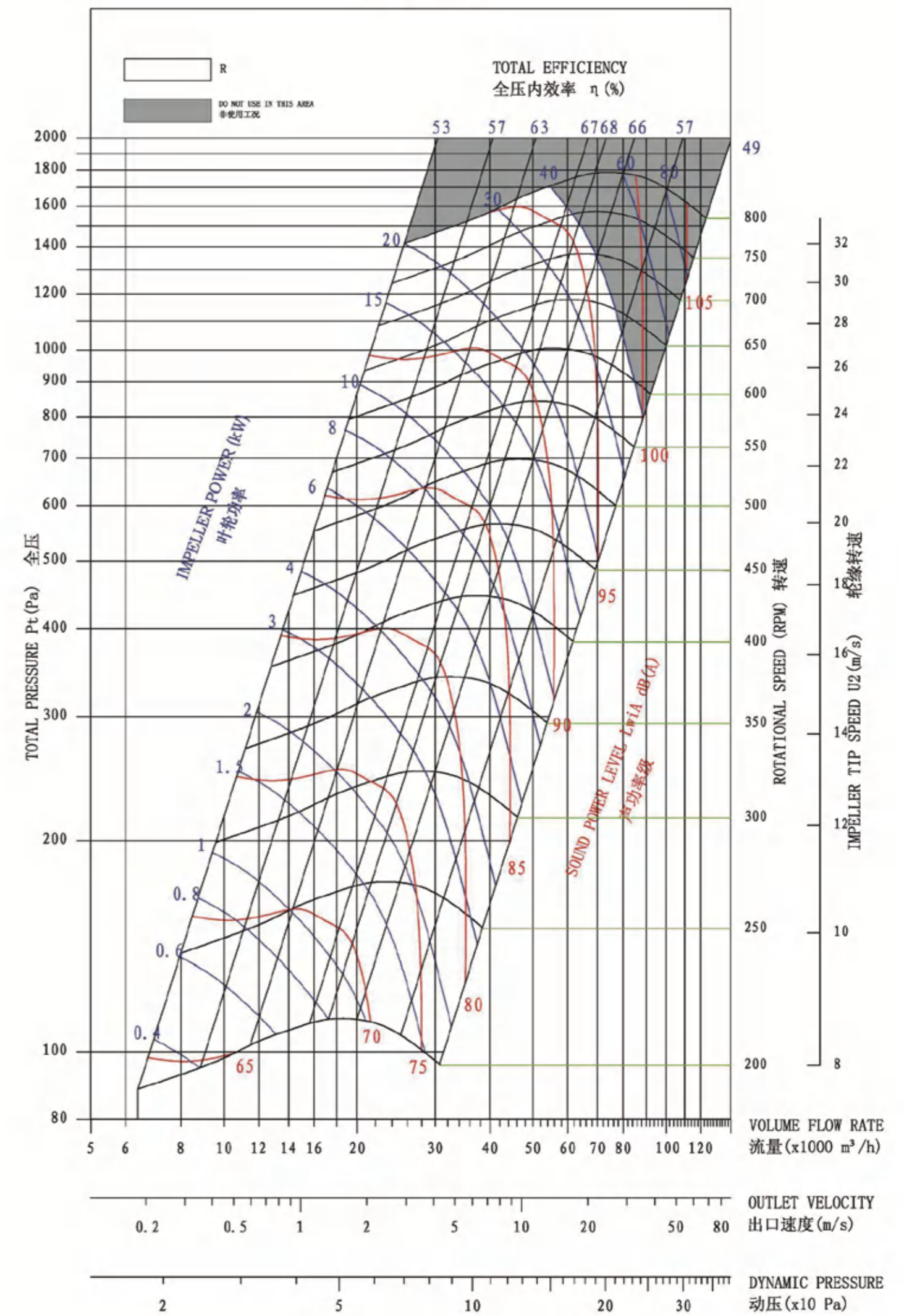
Performance shown is for installation type B, free inlet , duct outlet, and doesn't include the effects of appurtenances in the airstream. Power rating kW doesn't includedrive lessees.

# ADH - 710



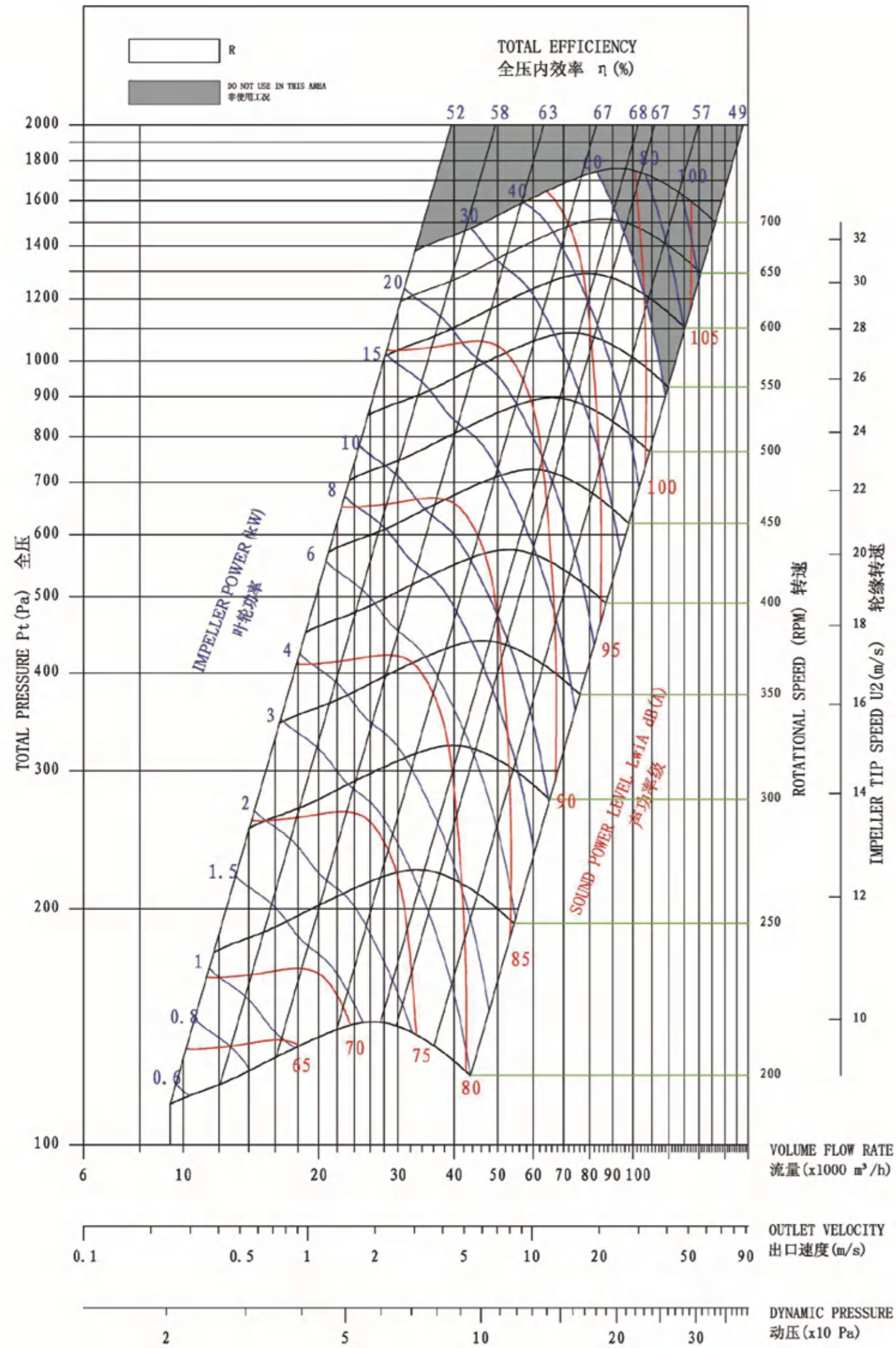
Performance shown is for installation type B, free inlet, duct outlet, and doesn't include the effects of appurtenances in the airstream. Power rating kW doesn't include drive losses.

# ADH - 800



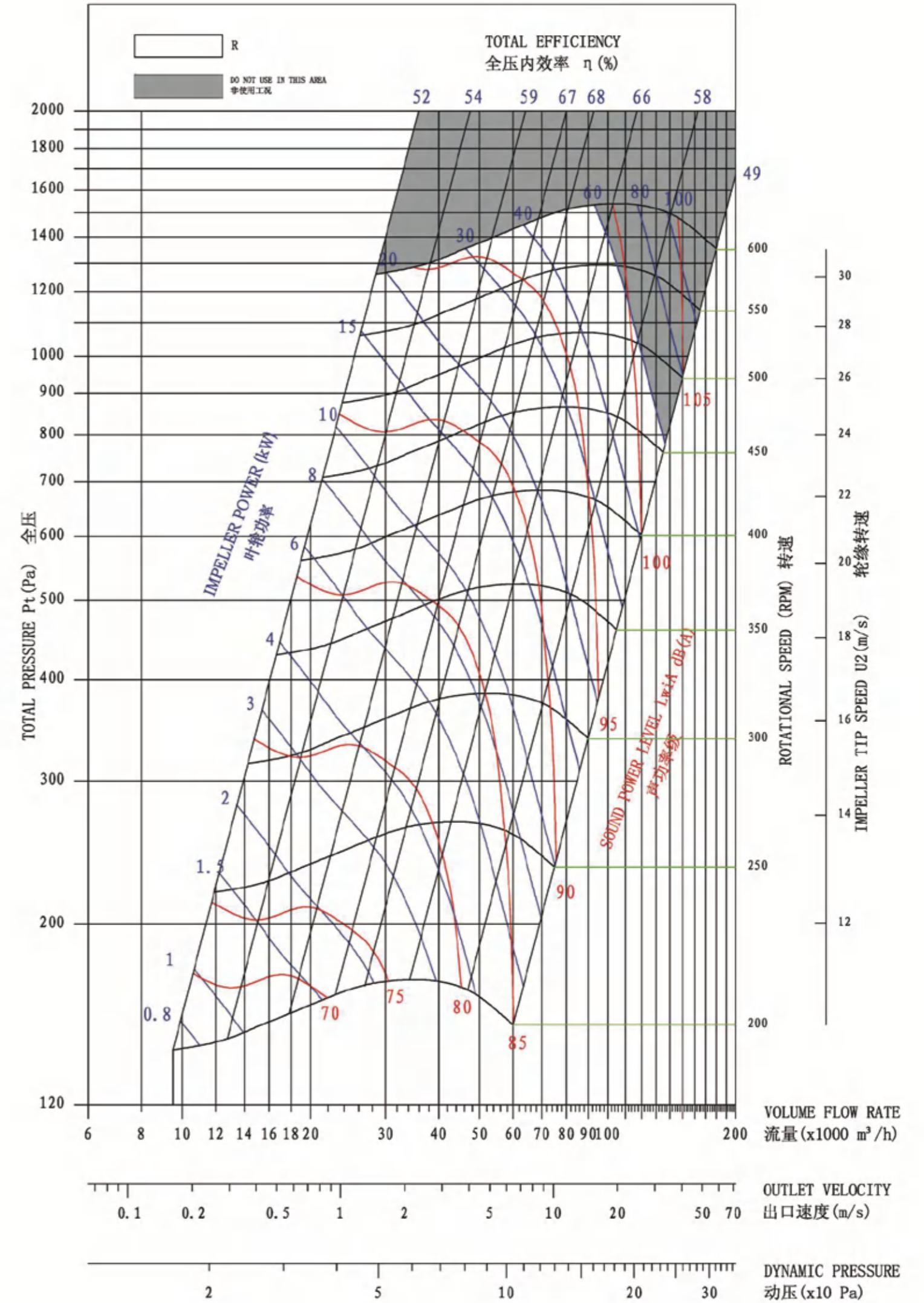
Performance shown is for installation type B, free inlet, duct outlet, and doesn't include the effects of appurtenances in the airstream. Power rating kW doesn't include drive losses.

# ADH - 900



Performance shown is for installation type B, free inlet, duct outlet, and doesn't include the effects of appurtenances in the airstream. Power rating kW doesn't include drive losses.

# ADH - 1000



Performance shown is for installation type B, free inlet, duct outlet, and doesn't include the effects of appurtenances in the airstream. Power rating kW doesn't include drive losses.