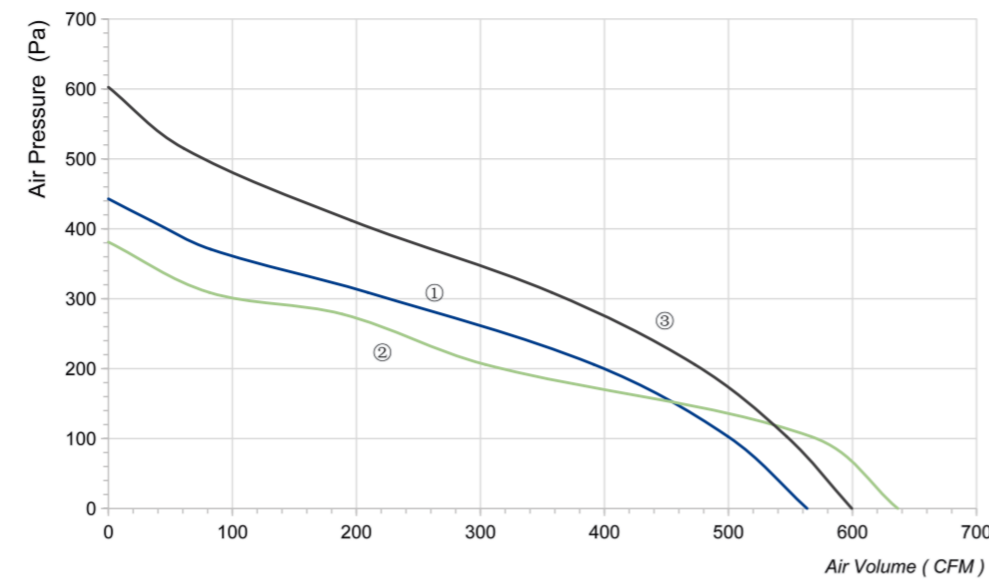


LWFC-DC097

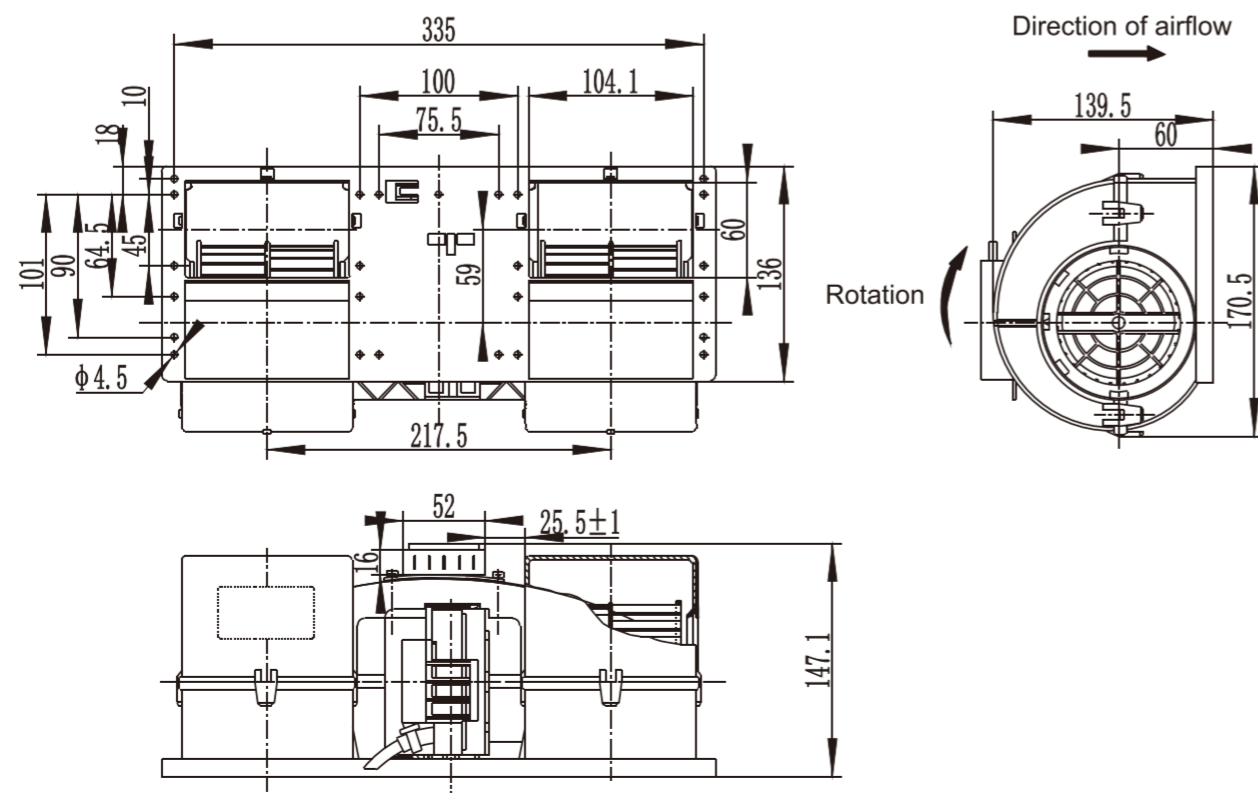


Product Characteristic

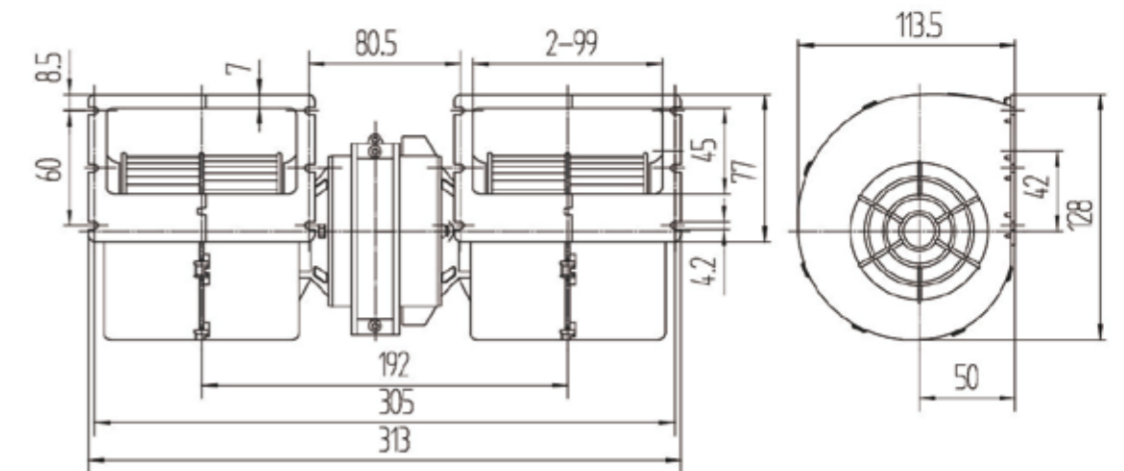
- Material: Plastic PA66
- Direction of rotation: CW(Viewed from the lead wire)
- Bearing: Maintenance-free ball bearings
- Technical features: Equipped with a 4-speed resistor speed controller, speed feedback signal, stall protection, current limiting, and soft start
- Type of protection: IP24
- Operation temperature: -40°C-65°C

Technical Specifications

Model	Voltage (V)	Air Pressure (Pa)	Air Volume (m³/h)	Air Volume (CFM)	Speed (RPM)	Power (W)	Current (A)	Noise [dB(A)]	Curve
LWFC-DC097M-01	26	443	930	563	3200	170	6.5	65	①
LWFC-DC097M-02	27	381	1050	637	3600	260	9.6	67	②
LWFC-DC097M-03	24	603	990	599	2930	200	8.3	66	③
	27	603	1070	648	3050	260	9.6	67	③



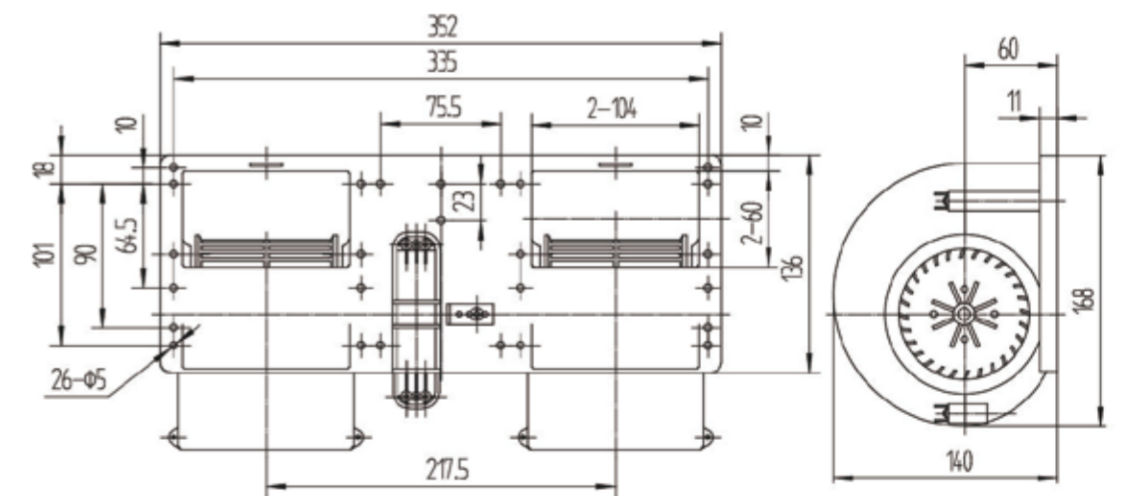
LWFC-DC86



Technical Specifications

Model	Airflow (m³/h)	Static Pressure (Pa)	Voltage (V)	Current (A)	Speed (rpm)	Remarks
LWFC-DC86L-01	660	100	12	≤18	≥4500	Φ86×86
LWFC-DC86M-02	660	100	24	≤8.5	≥4500	Φ86×86

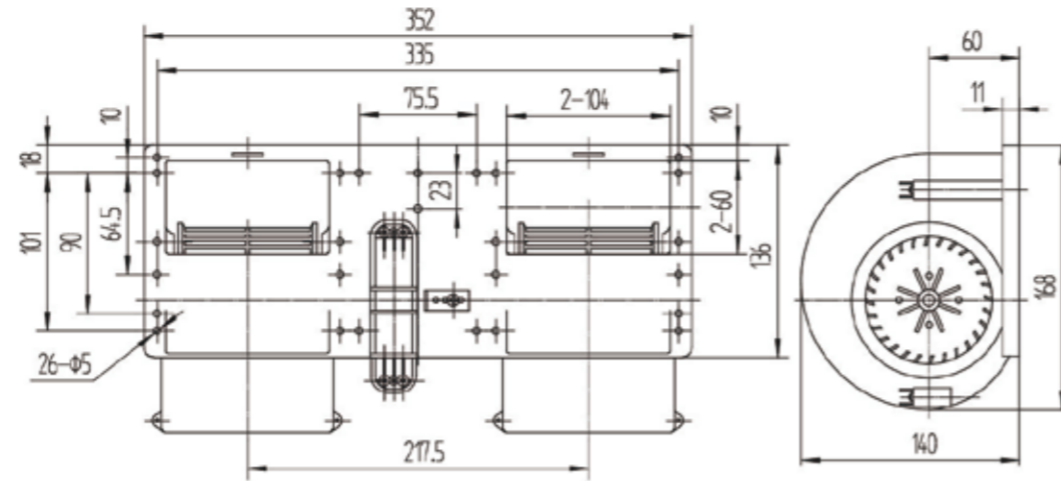
LWFC-DC105



Technical Specifications

Model	Airflow (m³/h)	Static Pressure (Pa)	Voltage (V)	Current (A)	Speed (rpm)	Remarks
LWFC-DC105L-01	1000	100	12	≤24	≥3800	Φ105×89
LWFC-DC105M-02	1000	100	24	≤11	≥3800	Φ105×89

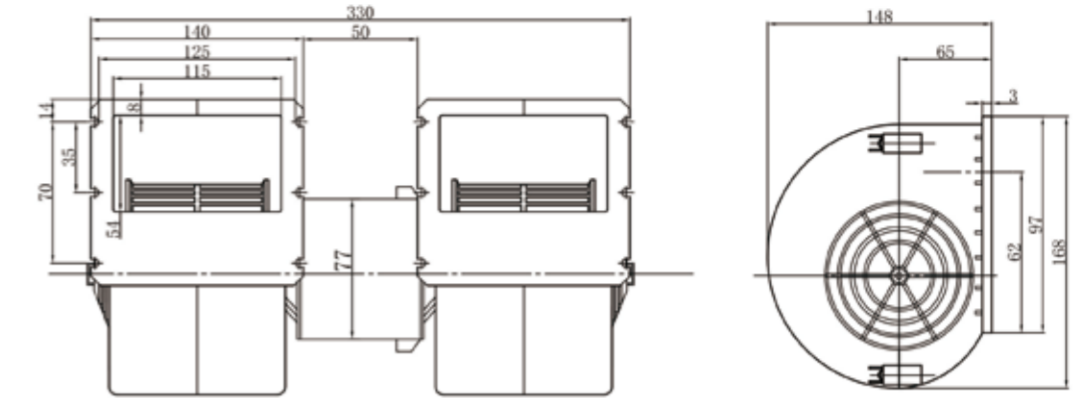
LWFC-DC105



Technical Specifications

Model	Airflow (m³/h)	Static Pressure (Pa)	Voltage (V)	Current (A)	Speed (rpm)	Remarks
LWFC-DC105L-03	1000	100	12	≤24	≥3800	Φ105×89
LWFC-DC105M-04	1000	100	24	≤11	≥3800	Φ105×89

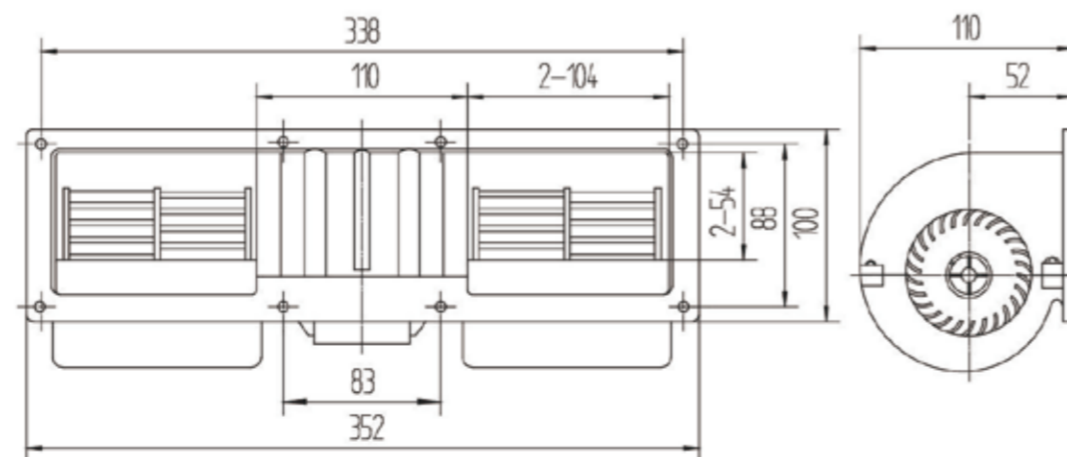
LWFC-DC105



Technical Specifications

Model	Airflow (m³/h)	Static Pressure (Pa)	Voltage (V)	Current (A)	Speed (rpm)	Remarks
LWFC-DC105L-05	800	100	12	≤18	≥3800	Φ105×89
LWFC-DC105M-06	800	100	24	≤9	≥3800	Φ105×89

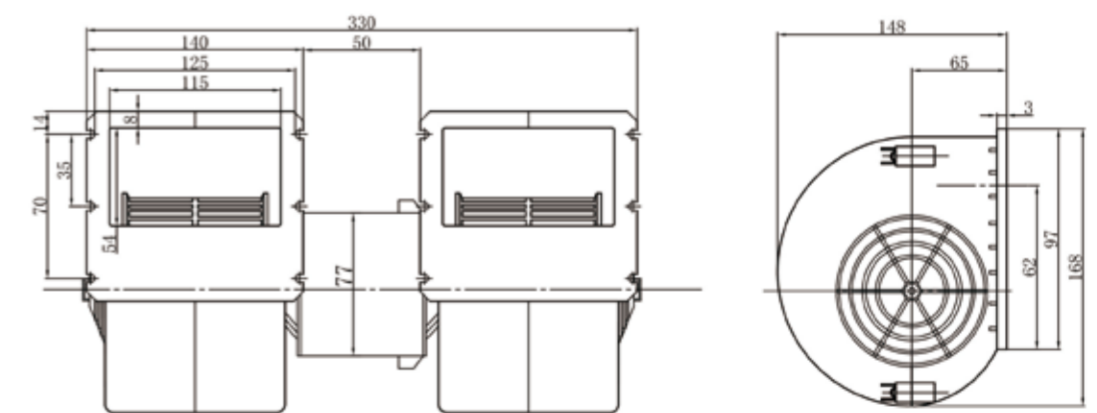
LWFC-DC82



Technical Specifications

Model	Airflow (m³/h)	Static Pressure (Pa)	Voltage (V)	Current (A)	Speed (rpm)	Remarks
LWFC-DC82L-01	600	100	12	≤12	≥3500	Φ82×96
LWFC-DC82M-02	600	100	24	≤6	≥3500	Φ82×96

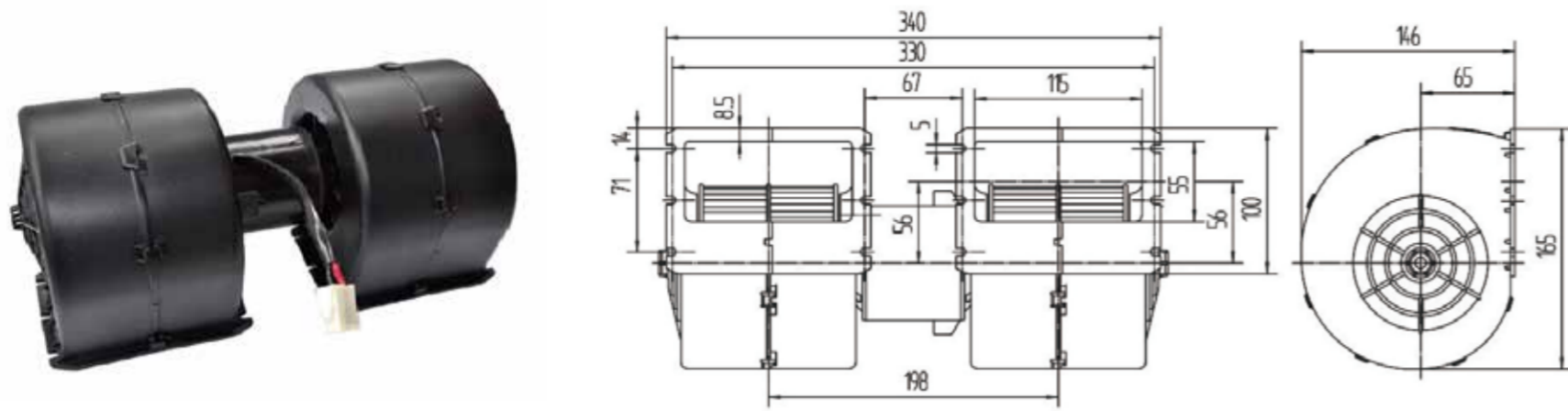
LWFC-DC105



Technical Specifications

Model	Airflow (m³/h)	Static Pressure (Pa)	Voltage (V)	Current (A)	Speed (rpm)	Remarks
LWFC-DC105L-07	800	100	12	≤18	≥3800	Φ105×89
LWFC-DC105M-08	800	100	24	≤9	≥3800	Φ105×89

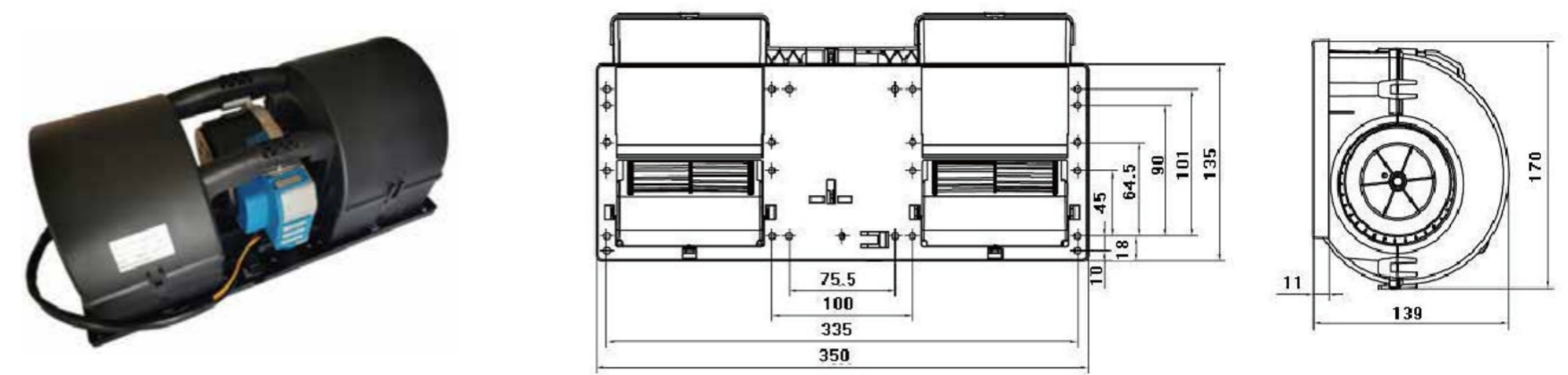
LWFC-DC105



Technical Specifications

Model	Airflow (m³/h)	Static Pressure (Pa)	Voltage (V)	Current (A)	Speed (rpm)	Remarks
LWFC-DC105L-09	1000	100	12	≤24	≥3800	Φ105×89
LWFC-DC105M-10	1000	100	24	≤11	≥3800	Φ105×89

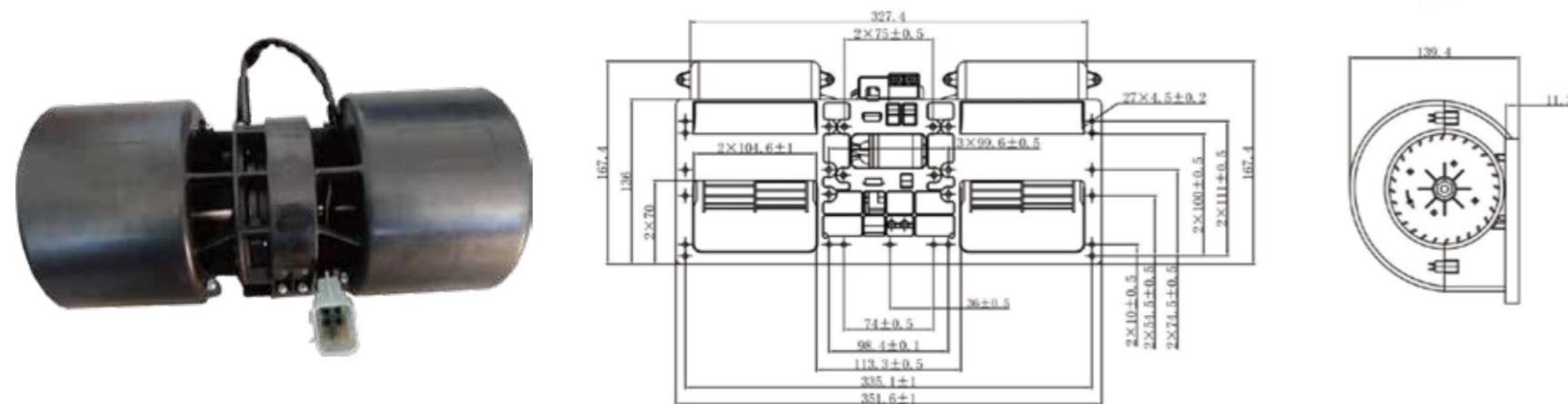
LWFC-DC**



Technical Specifications

Model	Airflow (m³/h)	Static Pressure (Pa)	Voltage (V)	Current (A)	Speed (rpm)	Remarks
LWFC-DC**L-01	850	100	12	≤20	≥3000	Brushless
LWFC-DC**M-02	950	100	24	≤10	≥3300	Brushless
LWFC-DC**H-03	950	100	48	≤5.6	≥3300	Brushless

LWFC-DC**



Technical Specifications

Model	Airflow (m³/h)	Static Pressure (Pa)	Voltage (V)	Current (A)	Speed (rpm)	Remarks
LWFC-DC**M-01	1200	100	24	≤15	≥4500	Brushless